

INDUSTRY KITCHENS

www.industrykitchens.com.au 1800 611 058

POLAR

Countertop Prep Fridge

Instruction manual



Model:

**G608-A/G609-A/G610-A/G611-A/GD875-A/GD876-A/
GD877-A/GD878-A**

Safety Instructions

- Position on a flat, stable surface.
- A service agent/qualified technician should carry out installation and any repairs if required. Do not remove any components or service panels on this product.
 - **In Queensland the service agent/qualified technician MUST hold a Gas Work Authorisation or License for hydrocarbon refrigerants if the appliance gas system is being opened or charged.**
- Consult Local and National Standards to comply with the following:
 - Health and Safety at Work Legislation
 - Fire Precautions
 - Wiring Regulations
 - Building Regulations
- DO NOT use jet/pressure washers to clean the appliance.
- DO NOT use the appliance outside.
- DO NOT use this appliance to store medical supplies.
- Always carry, store and handle the appliance in a vertical position and move by holding the base of the appliance.
- Always switch off and disconnect the power supply to the unit before cleaning.
- Keep all packaging away from children. Dispose of the packaging in accordance with the regulations of local authorities.
- If the power cord is damaged, it must be replaced by a POLAR agent or a recommended qualified technician in order to avoid a hazard.
- This appliance is not intended for use by persons (including children) with reduced physical, sensory or mental capabilities, or lack of experience or knowledge, unless they have been given supervision or instruction concerning the use of the appliance by a person responsible for their safety.

- Polar recommend that this appliance should be periodically tested (at least annually) by a Competent Person. Testing should include, but not be limited to: Visual Inspection, Polarity Test, Earth Continuity, Insulation Continuity and Functional Testing.



Caution: Risk of Fire

- Do not store explosive substances such as aerosol cans with a flammable propellant in this appliance.



Warning: Keep all ventilation openings clear of obstruction. Unit should not be boxed in without adequate ventilation.

- **To comply with AS/NZS 60079.10.1:2009: Ensure there are not sources of ignition in any area where refrigerant could gather in the event of a leak.**
- **Electrical equipment should not be placed under the vent or where refrigerant could gather in the event of a leak.**
- **Warning:** Do not use mechanical devices or other means to accelerate the defrosting process, other than those recommended by the manufacturer.
- **Warning:** Do not damage the refrigerant circuit.
- **Warning:** Do not use electrical appliances inside the food storage compartments of the appliance.

Product Description

G608-A - POLAR 5 x 1/4 GN Container Refrigerated Counter Top/Servery Prep
 G609-A - POLAR 7 x 1/4 GN Container Refrigerated Counter Top/Servery Prep
 G610-A - POLAR 8 x 1/4 GN Container Refrigerated Counter Top/Servery Prep
 G611-A - POLAR 10 x 1/4 GN Container Refrigerated Counter Top/Servery Prep
 GD875-A - POLAR 3 x 1/3 + 1 x 1/2 GN Container Refrigerated Counter Top/Servery Prep
 GD876-A - POLAR 5 x 1/3 + 1 x 1/2 GN Container Refrigerated Counter Top/Servery Prep
 GD877-A - POLAR 8 x 1/3 GN Container Refrigerated Counter Top/Servery Prep
 GD878-A - POLAR 9 x 1/3 GN Container Refrigerated Counter Top/Servery Prep

Pack Contents

The following is included:

- | | | |
|-------------------------|----------------------|-------------------------|
| • POLAR Refrigerator | • Instruction manual | • Screws x 12 |
| • Top glass panel | • Collars x 6 | • Plugs x 14 |
| • Rear glass panel | • Brackets x 7 | • Gastronorm spacer bar |
| • Side glass panels x 2 | • Grub screws x 7 | • Adjustable feet x 4 |

POLAR prides itself on quality and service, ensuring that at the time of unpacking the contents are supplied fully functional and free of damage. Should you find any damage as a result of transit, please contact your POLAR dealer immediately.

Installation

Note: Not for use in vans or trailers, food trucks or similar vehicles.

Note: If the unit has not been stored or moved in an upright position, let it stand upright for approximately 12 hours before operation. If in doubt allow to stand.

1. Remove the appliance from the packaging. Make sure that all protective plastic film and coatings are thoroughly removed from all surfaces.
2. To optimize performance and longevity, ensure a minimum clearance of 2.5cm is maintained between the unit and walls and other objects, with a minimum 20cm clearance on the top. **NEVER LOCATE NEXT TO A HEAT SOURCE.**

Note: Before using the appliance for the first time, clean the shelves and interior with soapy water then dry well.

3. Level the appliance by adjusting the screw feet.

Fit Glass Panels

1. Screw the collars to the rim of the appliance.

Note: Ensure the hole in the collar for the grub screw faces inwards.

2. Slot the two side panels into the collars, with the holes in the glass at the top.

Note: Ensure the screw hole furthest from the edge of the panel goes to the back of the appliance.

3. Screw a grub screw into each collar to secure the panels.

Note: Ensure the soft end of the grub screw is the end making contact with the glass.

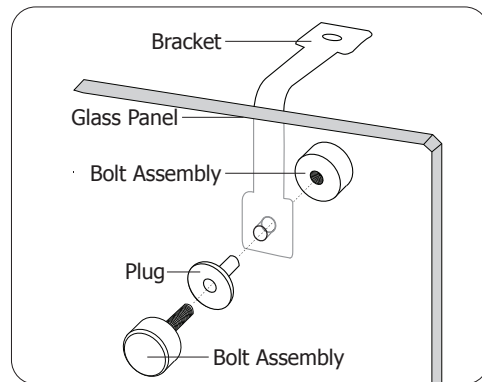
Do not over-tighten the grub screws as it will result in the glass breaking.

4. Slot the rear panel into the collars, with the holes in the glass at the top.
5. Screw a grub screw into each collar to secure the panel.
6. Slot the plastic plugs into each of the holes.
7. Screw the brackets to the inside of each pane using the bolt assemblies.



Note: Ensure the short end of the bolt assembly is on the outside of the panels.

8. Place the top panel onto the brackets, ensuring all holes line up.
9. Insert the plugs and attach the top panel to the brackets with the bolt assembly.



Operation

Storing Food

To get the best results from your POLAR appliance, follow these instructions:

- Only store foodstuffs in the appliance when it has reached the correct operating temperature.
- Ensure gastronorm bays are full at all times, even if the gastronorms are unused or empty. Empty bays will greatly reduce efficiency of the appliance.
- Do not obstruct the fans inside the appliance.
- Use the spacer bars provided to fill any gaps (they are not required to support each GN pans).
- Always cover the pan with lid when not in use.
- Do not place hot food or liquid inside the appliance.

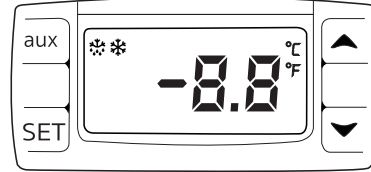
Note: The appliance is not intended for the long term storage of food.

Turn On

1. Ensure the power switch is set to [O] and turn on at the socket.
2. Switch on the power switch [I]. The current temperature within the appliance is displayed.

Set the Operating Temperature

1. Press the **SET** button for 3 seconds. The display will flash.
2. Press the ▲ or ▼ buttons to display the required temperature.
3. Press the **SET** button to store the temperature.



Manual Defrost

Press and hold the defrost button "aux" for 2 seconds to begin a manual defrost. The defrost light illuminates. The defrost cycle will end automatically.

Cleaning, Care & Maintenance

- **Switch off and disconnect from the power supply before cleaning.**
- Clean the interior of the appliance as often as possible.
- Do not use abrasive cleaning agents. These can leave harmful residues.
- Clean the door seal with warm soapy water.
- Always wipe dry after cleaning.
- Do not allow water used in cleaning to run through the drain hole into the evaporation pan.
- Take care when cleaning the rear of the appliance. Sharp edges can cut.

Condensation and ice will form with frequent and prolonged opening of the lid.

Operating outside of the recommend temperature range and placing next to a heat source will also increase the amount of ice and internal/external condensation. If external condensation occurs wipe the surface down with a cloth.

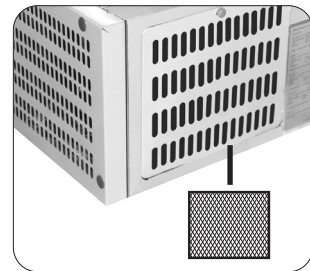
Excessive ice will result in longer running times that will increase energy consumption and increase the deterioration of components.

If the gasket or seal is damaged or deformed, energy consumption will increase. To restore efficiency, replace gasket.

Do not obstruct fans and do not exceed max load lines, as doing so will impact air distribution and increase energy usage.

Cleaning the Condenser Filter

- The condenser is part of the refrigeration system. The condenser filter requires monthly cleaning.
- Always disconnect power supply before carrying out Routine Maintenance.
- Failure to clean the condenser will increase energy consumption, reduce the performance and life of your Polar unit, and thus may invalidate your warranty.
- These models have a removable filter which can be cleaned with a vacuum cleaner.



Troubleshooting

A qualified technician must carry out repairs if required.

Fault	Probable Cause	Solution
The appliance is not working	The unit is not switched on	Check unit plugged in correctly and switched on
	Plug or lead is damaged	Replace plug or lead
	Mains power supply fault	Check mains power supply

Fault	Probable Cause	Solution
The appliance turns on, but the temperature is too high/low	Too much ice on the evaporator	Defrost the appliance
	Condenser blocked with dust	Clean the Condenser
	Doors are not shut properly	Check doors are shut and seals are not damaged
	Appliance is located near a heat source or air flow to the condenser is being interrupted	Move the appliance to a more suitable location
	Ambient temperature is too high	Increase ventilation or move appliance to a cooler position
	Unsuitable foodstuffs are being stored in the appliance	Remove any excessive hot foodstuffs or blockages to the fan
	Appliance is overloaded	Reduce the amount of food stored inside
The appliance is leaking water	The appliance is not properly levelled	Adjust the screw feet to level the appliance (If applicable)
	The discharge outlet is blocked	Clear the discharge outlet
	Movement of water to the drain is obstructed	Clear the floor of the appliance (If applicable)
	The water container is damaged	Consult a qualified Technician
	The drip tray is overflowing	Empty the drip tray (If applicable)
The appliance is unusually loud	Loose nut/screw	Check and tighten all nuts and screws
	The appliance has not been installed in a level or stable position	Check installation position and change if necessary

Technical Specifications

Note: Due to our continuous improvement process, the product specifications are subject to change without notice.

Model	Voltage	Power	Current	Temperature Range	Capacity	Refrigerant type / weight (kg)	Dimensions H x W x D mm	Weight (kg)
G608-A	230V 50Hz	110W	0.8A	2°C - 8°C	5 x gastronorm 1/4 Container	R600a (0.045kg)	435 x 1200 x 335	25
G609-A	230V 50Hz	110W	0.8A	2°C - 8°C	7 x gastronorm 1/4 Container	R600a (0.045kg)	435 x 1500 x 335	29
G610-A	230V 50Hz	122W	0.8A	2°C - 8°C	8 x gastronorm 1/4 Container	R600a (0.045kg)	435 x 1800 x 335	32
G611-A	230V 50Hz	122W	0.8A	2°C - 8°C	10 x gastronorm 1/4 Container	R600a (0.045kg)	435 x 2000 x 335	34
GD875-A	230V 50Hz	110W	0.8A	2°C - 8°C	3 x gastronorm 1/3 Container 1 x gastronorm 1/2 Container	R600a (0.045kg)	435 x 1200 x 395	28
GD876-A	230V 50Hz	110W	0.8A	2°C - 8°C	5 x gastronorm 1/3 Container 1 x gastronorm 1/2 Container	R600a (0.045kg)	435 x 1500 x 395	31
GD877-A	230V 50Hz	122W	0.8A	2°C - 8°C	8 x gastronorm 1/3 Container	R600a (0.045kg)	435 x 1800 x 395	35
GD878-A	230V 50Hz	122W	0.8A	2°C - 8°C	9 x gastronorm 1/3 Container	R600a (0.045kg)	435 x 2000 x 395	37

Electrical Wiring

The plug is to be connected to a suitable mains socket.

POLAR appliances are wired as follows:

- Live wire (coloured brown) to terminal marked L
- Neutral wire (coloured blue) to terminal marked N
- Earth wire (coloured green/yellow) to terminal marked E

This appliance must be earthed.



If in doubt consult a qualified electrician.

Electrical isolation points must be kept clear of any obstructions. In the event of any emergency disconnection being required they must be readily accessible.

Compliance

The product must not be disposed of as household waste. To help prevent possible harm to human health and/or the environment, the product must be disposed of in an approved and environmentally safe recycling process. For further information on how to dispose of this product correctly, contact the product supplier, or the local authority responsible for waste disposal in your area.

POLAR parts have undergone strict product testing in order to comply with regulatory standards and specifications set by international, independent, and federal authorities.



POLAR products have been approved to carry the following symbol:

All rights reserved. No part of these instructions may be produced or transmitted in any form or by any means, electronic, mechanical, photocopying, recording or otherwise, without the prior written permission of POLAR.

Every effort is made to ensure all details are correct at the time of going to press, however, POLAR reserve the right to change specifications without notice.

DECLARATION OF CONFORMITY

• Conformiteitsverklaring • Déclaration de conformité • Konformitätserklärung • Dichiarazione di conformità •
• Declaración de conformidad

Equipment Type • Uitrustingstype • Type d'équipement • Gerätetyp • Tipo di apparecchiatura • Tipo de equipo		Model • Modèle • Modell • Modello • Modelo		
G-Series Countertop Prep Fridge				
5 x ¼ GN 6 x ¼ GN 7 x ¼ GN 8 x ¼ GN 10 x ¼ GN	(with stainless steel lids): 5 x ¼ GN 6 x ¼ GN 7 x ¼ GN 8 x ¼ GN 10 x ¼ GN	3 x 1/3 GN & 1 x ½ GN 4 x 1/3 GN & 1 x ½ GN 5 x 1/3 GN & 1 x ½ GN 8 x 1/3 GN 9 x 1/3 GN	G608 (& -E -A) AB090 (& -E -A) G609 (& -E -A) G610 (& -E -A) G611 (& -E -A)	FA854 (& -E -A) DA680 (& -E -A) FA855 (& -E -A) FA856 (& -E -A) FA857 (& -E -A)
Application of Territory Legislation & Council Directives(s) Toepassing van Europese Richtlijn(en) • Application de la/des directive(s) du Conseil • Anwendbare EU- Richtlinie(n) • Applicazione delle Direttive • Aplicación de la(s) directiva(s) del consejo	Machinery Directive 2006/42/EC Supply of Machinery (Safety) Regulations 2008 (BS) EN 60335-1:2012 +A11:2014 +A13:2017 (BS) EN 60335-2-89:2010 +A1:2016 +A2:2017 (BS) EN 62233:2008 Electro-Magnetic Compatibility (EMC) Directive 2014/30/EU - recast of 2004/108/EC Electromagnetic Compatibility Regulations 2016 (S.I. 2016/1091) (BS) EN IEC 55014-1:2021 (BS) EN IEC 55014-2:2021 (BS) EN IEC 61000-3-2: 2019 +A1:2021 (BS) EN 61000-3-3: 2013 +A1:2019 +A2:2021 Restriction of Hazardous Substances Directive (RoHS) 2015/863 amending Annex II to Directive 2011/65/EU Restriction of the Use of Certain Hazardous Substances in Electrical and Electronic Equipment Regulations 2012 (S.I. 2012/3032)		Electrical Safety IEC 60335-1:2010 +A1:2013 +A2:2016 IEC 60335-2-89:2010 +A1:2012 +A2:2015 Electromagnetic Compatibility EN IEC 55014-1:2021 EN IEC 55014-2:2021 EN IEC 61000-3-2: 2019 +A1:2021 EN 61000-3-3: 2013 +A1:2019 +A2:2021	
Manufacturer Name • Naam fabrikant • Nom du producteur • Name des Herstellers • Nome del produttore • Nombre del fabricante		Polar		

I, the undersigned, hereby declare that the equipment specified above conforms to the above Territory Legislation, Directive(s) and Standard(s).

Ik, de ondergetekende, verklaar hierbij dat de hierboven gespecificeerde uitrustingsgoed goedgekeurd is volgens de bovenstaande Richtlijn(en) en Standaard(en).

Je soussigné, confirme la conformité de l'équipement cité dans la présente à la / aux Directive(s) et Norme(s) ci-dessus
Ich, der/die Unterzeichnende, erkläre hiermit, dass das oben angegebene Gerät der/den oben angeführten Richtlinie(n) und Norm(en) entspricht.

Il sottoscritto dichiara che l'apparecchiatura di sopra specificata è conforme alle Direttive e agli Standard sopra riportati.

El abajo firmante declara por la presente que el equipo arriba especificado está en conformidad con la(s) directiva(s) y estándar(es) arriba mencionadas.

Date • Data • Date • Datum • Data •

Fecha

Signature • Handtekening •

Signature • Unterschrift Firma •

Firma

11th April 2023

DocuSigned by:

Ashley Hooper

B39382C9FD9C478...

DocuSigned by:

Eoghan Donnellan

D352874F7FAB460...

DocuSigned by:

Brendan Denmeade

D052C5837EB7465...

Full Name • Volledige naam • Nom

et prénom • Vollständiger Name •

Nome completo • Nombre completo

Position • Functie • Fonction •

Position • Qualifica • Posición

Manufacturer Address • Adres

fabrikant • Adresse du producteur •

Anschrift des Herstellers

produttore • Dirección del

fabricante • Morada do fabricante

Ashley Hooper

Technical & Quality
Manager

Fourth Way,
Avonmouth,
Bristol,
BS11 8TB
United Kingdom

Eoghan Donnellan

Commercial
Manager/ Importer

Unit 9003,
Blarney Business
Park,
Blarney, Co. Cork
Ireland

Brendan Denmeade

Commercial Manager/ Responsible
Supplier

15 Badgally Road,
Campbelltown
NSW 2560



POLAR



<http://www.polar-refrigerator.com/> 

G608-A-G611-A_GD875-A-GD878-A_A5_v8_2024/07/05