

Double Flavour Soft Serve Machine

**INDUSTRY
KITCHENS**
www.industrykitchens.com.au 1800 611 058



- PASMO PASCAL -

S121

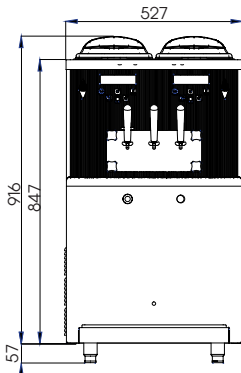


GRAVITY

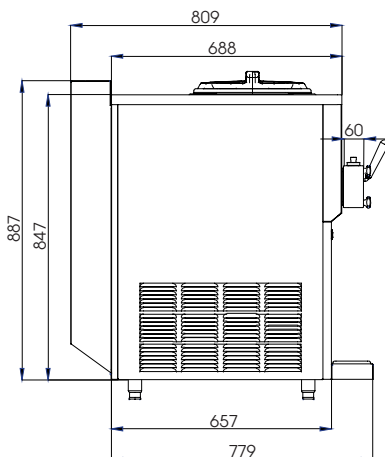


AIR PUMP

Front View



Side View



Features

- Micro-heating auto defrost
- Intelligent Inverter Technology
- Powerful & Compact Design
- Infered Intelligent Sensing
- Low Noise with smooth start-up
- Fast Refrigeration
- Digital Display with Soft Touch controls
- Adustable hardnessfor perfect texture

Air Pump Model (in addition to Gravity)

- Gear-type air pump system
- 40% increased expansion
- 20% increased production capacity
- Pasteurisation & Cylinder Heating

Specifications

Overrun (Gravity)	15-40%
Overrun (Air Pump)	35-80%
Hopper Size	2 x 9.5L
Hopper Agitator	Yes
Cylinder Size	2 x 2L
Production/Hr	2 x 40L
Compressor	2 x Embraco/Tecumseh
Pasteuriser	Air Pump Model only
Cylinder Heating	Yes
Defrost	Yes
Refrigerant Type	R404A
Hopper Cooling	Yes
Condensor	Air (Water Optional)
Air Intake	Left & Right
Air Expulsion	Top
Electrical Specs	Gravity: 220V-50Hz, Single Ph Pump: 380V-50Hz, 3 Ph
Power	Gravity: 3.5kW, 16Amp Pump: 3.6Kw, 9.5Amp
Net Weight	168kg (Pump: 250kg)
Packaged Dims.	Gravity: 650 x 1200 x 1010mm Pump: 650 x 1200 x 1010mm
Packaged Weight	185kg (Pump: 275kg)

IMPORTED AND DISTRIBUTED BY:



AUSTRALIA & NEW ZEALAND

+61 29707 2977

www.euroquip.com.au

sales@euroquip.com.au