

**RP1RS**

**18 Tray Reach-in Retarder Prover**

**Product Features**

- Full stainless steel construction internal and external
- Swing door fitted as standard
- Easy to use electronic panel
- Fitted with 18 removable tray slides
- 80mm gap between tray slides
- Humidity adjustable up to 100%
- Suitable for trays sized 457mm x 735mm and 405mm x 735mm
- Refrigeration adjustable down to -2°C
- Temperature adjustable up to 40°C
- Supplied on wheels



RP1RS

Sourced from the leading equipment manufacturers globally, the Paramount brand is renowned for quality equipment at an affordable price point. With a range including spiral dough mixers, hydraulic dividers, bun divider rounders, provers, deck and rotating ovens, bread slicers, planetary mixers and dough sheeters, Paramount offers solutions to your production requirements. Designed to withstand the demands of the modern bakery environment, the Paramount brand offers many years of trouble free operation.

A critical component in the quality of baked finish goods, our quality range of provers and retarder provers provide controlled climates with adjustable temperature and humidity settings.

# RP1RS

## 18 Tray Reach-in Retarder Prover

### Model RP1RS

#### Dimensions

Width 780mm  
 Depth 1150mm  
 Height 2180mm

#### Electrical Requirements

220-240V, 1P+N+E, 50Hz, 15amp  
 Nett Weight 110kg

#### Additional Information

Dimensions EXCLUDE all protrusions - door handles, drain, exits etc...  
 Minimum ceiling height required - 2200mm  
 Supplied fully assembled

#### Units require the following:

Drain Outlet  
 1/2" BSP Inlet

moffat.com.au  
 moffat.co.nz

Australia  
 moffat.com.au

#### Moffat Pty Limited

Victoria/Tasmania  
 740 Springvale Road  
 Mulgrave, Victoria 3170  
 Telephone +613-9518 3888  
 Facsimile +613-9518 3833  
 vsales@moffat.com.au

#### New South Wales

Telephone +612-8833 4111  
 nswsales@moffat.com.au

#### South Australia

Telephone +613-9518 3888  
 vsales@moffat.com.au

#### Queensland

Telephone +617-3630 8600  
 qldsales@moffat.com.au

#### Western Australia

Telephone +618-9413 2400  
 wasales@moffat.com.au

#### New Zealand

moffat.co.nz

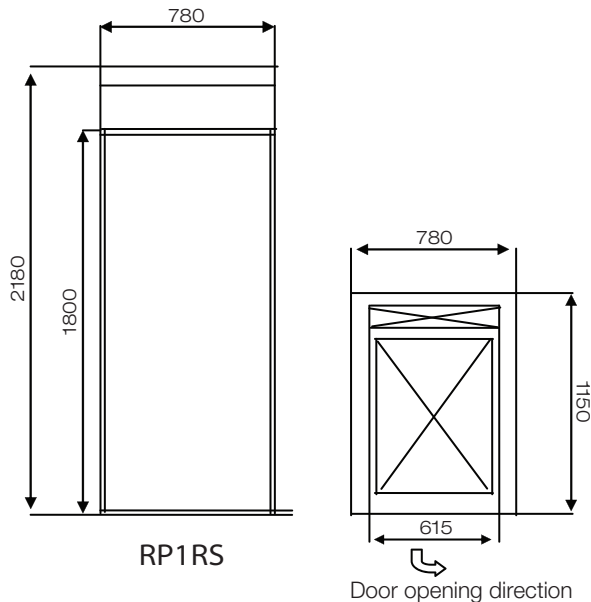
#### Moffat Limited

#### Rolleston

45 Illinois Drive  
 Izone Business Hub  
 Rolleston 7675  
 Telephone +64 3-983 6600  
 Facsimile +64 3-983 6660  
 sales@moffat.co.nz

#### Auckland

Telephone +64 9-574 3150  
 sales@moffat.co.nz



In line with policy to continually develop and improve its products, Moffat Limited reserves the right to change specifications and design without notice.

© Copyright Moffat Ltd  
 AN.P.01.21