

RP1RS-2

Reach-in Retarder Prover

Product Features

- Full stainless steel construction internal and external
- 2 Swing doors fitted with fixed glass as standard
- Easy to use electronic panels
- 2 totally independent chambers - Retard in one, prove in the other
- Fitted with 9 removable tray slides per chamber
- Capacity: 18 trays/Chamber
- Trays enter long side first, 2 trays deep
- 75mm gap between tray slides
- Humidity adjustable up to 90%
- Suitable for trays sized 405mm x 735mm & 457mm x 735mm
- Temperature adjustable up to 40°C
- Refrigeration adjustable down to -2°C
- Supplied on wheels



RP1RS-2

Sourced from the leading equipment manufacturers globally, the Paramount brand is renowned for quality equipment at an affordable price point. With a range including spiral dough mixers, hydraulic dividers, bun divider rounders, provers, deck and rotating ovens, bread slicers, planetary mixers and dough sheeters, Paramount offers solutions to your production requirements. Designed to withstand the demands of the modern bakery environment, the Paramount brand offers many years of trouble free operation.

A critical component in the quality of baked finish goods, our quality range of provers and retarder provers provide controlled climates with adjustable temperature and humidity settings.

RP1RS-2

Reach-in Retarder Prover

Model RP1RS-2

Dimensions

Width	940mm
Depth	1245mm
Height	2230mm

Electrical Requirements

220-240V, 1P+N+E, 50Hz, 32 amp

Nett Weight 380kg

Additional Information

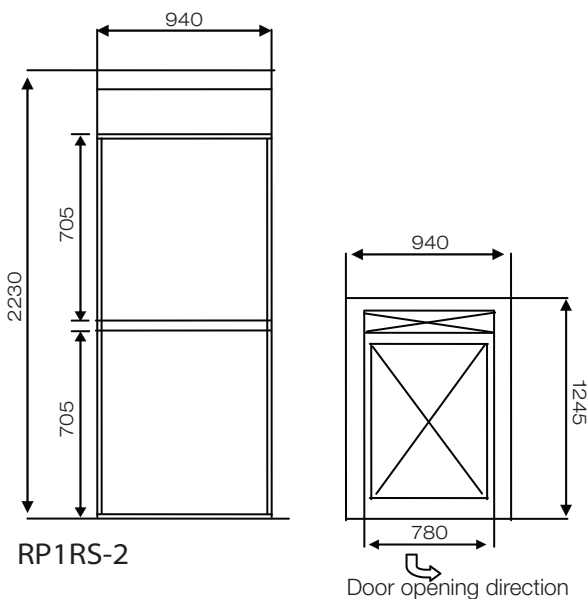
Dimensions EXCLUDE all protrusions - door handles, drain exits etc...

Minimum ceiling Height required - 2600mm

Units require the following:

Drain Outlet

½" BSP Inlet



moffat.com.au

moffat.co.nz

Australia

moffat.com.au

Moffat Pty Limited

Victoria/Tasmania

740 Springvale Road

Mulgrave, Victoria 3170

Telephone +613-9518 3888

Facsimile +613-9518 3833

vsales@moffat.com.au

New South Wales

Telephone +612-8833 4111

nswsales@moffat.com.au

South Australia

Telephone +613-9518 3888

vsales@moffat.com.au

Queensland

Telephone +617-3630 8600

qldsales@moffat.com.au

Western Australia

Telephone +618-9413 2400

wasales@moffat.com.au

New Zealand

moffat.co.nz

Moffat Limited

Rolleston

45 Illinois Drive

Izone Business Hub

Rolleston 7675

Telephone +64 3-983 6600

Facsimile +64 3-983 6660

sales@moffat.co.nz

Auckland

Telephone +64 9-574 3150

sales@moffat.co.nz



In line with policy to continually develop and improve its products, Moffat Limited reserves the right to change specifications and design without notice.

© Copyright Moffat Ltd
AN.P.01.21