

MANO

MANO12-1P, MANO15-1P, MANO18-1P
Manual Slicer

Product Features

- Sturdy and compact design
- 12-18mm slice thickness
- Progressive traction lever on loaf pusher
- Rear safety cover for operator safety
- Easy to empty crumb bin
- Plastic fingers to hold bread once sliced
- Perfect blade tension for uniform slice thickness
- Approximate output 250 loaves / hour



MANO

Sourced from the leading equipment manufacturers globally, the Paramount brand is renowned for quality equipment at an affordable price point. With a range including spiral dough mixers, hydraulic dividers, bun divider rounders, provers, deck and rotating ovens, bread slicers, planetary mixers and dough sheeters, Paramount offers solutions to your production requirements.

Designed to withstand the demands of the modern bakery environment, the Paramount brand offers many years of trouble free operation.

Available as basic bench top units to high volume floor model slicers, we are sure to have the right solution to meet your requirements. All slicers are available in a range of slice thicknesses to suit your slicing needs.

MANO

MANO12-1P, MANO15-1P, MANO18-1P
Manual Slicer

Model MANO

Slice thickness MANO12 - 12mm
 MANO15 - 15mm
 MANO18 - 18mm
 Output 250 loaves per hour

Dimensions

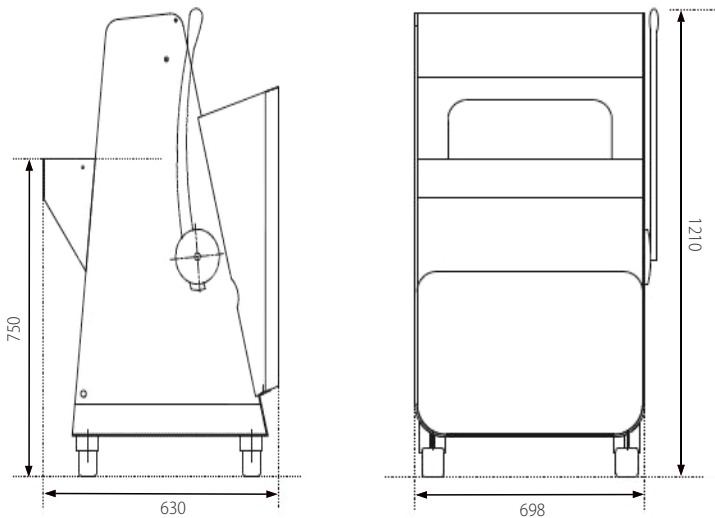
Width 698mm
 Depth 630mm
 Height 1210mm

Electrical Requirements

220-240V, 1P+N+E, 50Hz 0.55kW
 Nett Weight 180kg

Additional Information

power outlet to be located at a minimum 1500mm off the floor



moffat.com.au
 moffat.co.nz

Australia
 moffat.com.au

Moffat Pty Limited

Victoria/Tasmania
 740 Springvale Road
 Mulgrave, Victoria 3170
 Telephone +613-9518 3888
 Facsimile +613-9518 3833
 vsales@moffat.com.au

New South Wales
 Telephone +612-8833 4111
 nswsales@moffat.com.au

South Australia
 Telephone +613-9518 3888
 vsales@moffat.com.au

Queensland
 Telephone +617-3630 8600
 qldsales@moffat.com.au

Western Australia
 Telephone +618-9413 2400
 wasales@moffat.com.au

New Zealand
 moffat.co.nz

Moffat Limited

Rolleston
 45 Illinois Drive
 Izone Business Hub
 Rolleston 7675
 Telephone +64 3-983 6600
 Facsimile +64 3-983 6660
 sales@moffat.co.nz

Auckland
 Telephone +64 9-574 3150
 sales@moffat.co.nz



In line with policy to continually develop and improve its products, Moffat Limited reserves the right to change specifications and design without notice.

© Copyright Moffat Ltd
 AN.P.01.21