

## 10 Litres

- Microwave, grill, circulating air grill, convection
- Twin Inverter Microwave



# NE-SCV3 Speed Convection Oven

The Panasonic combination units combine convection, circulating air grill and convection grill with microwave.

The Panasonic SCV3 High Speed Convection Oven is the ideal solution to cook, toast, bake, grill and reheat a wide range of fresh or frozen foods, such as toasted sandwiches, pastries or pizza, in fact anything needing a crisped, browned finish. Increase customer satisfaction by reducing waiting time. The SCV3 High Speed Convection Oven ensures great results and enhanced profitability.

## Stackable Unit

Easily fits onto a small worktop offering maximum flexibility. You can double your capabilities by staking a second oven without using additional space.

## Inverter Technology

Panasonic exclusive Twin Inverter technology, cooks food evenly with no cold spots, consistently providing optimum cooking results.

## Easy Maintenance

Inside the cavity is easy to clean, and the ceramic tray reduces down time whilst simplifying day to day maintenance.

## Accessories

The Panasonic SCV3 comes with a number of accessories to offer versatility for any kitchen operation.

## Menu Flexibility

Rapid USB transfer. Feel free to store your recipes on a USB stick and then simply transfer them to the SVC3 via the USB slot. The oven can hold up to 999 recipes. You can even add your own food images to the control panel to be used as menu buttons.

## Cooking Variety

Offer your customers any number of dishes, snacks or sweets. With the different cooking methods and combination cooking, you can opt to serve up anything from breakfast delights through toasted sandwiches and warm pies to entire lamb legs.

## App Control

Use the intuitive app on your computer or mobile phone to create or edit recipes, to create new categories of recipes or to transfer menus to individual compatible ovens across several restaurants. Control and organise like a boss.



## NE-SCV3

·10 Litres ·1050 Watt microwave,  
1915 Watt grill,  
180°C to 280°C convection  
grill



## Recipe Management

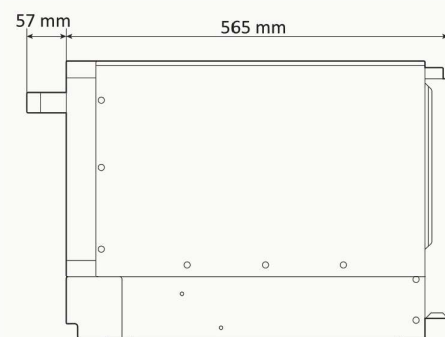
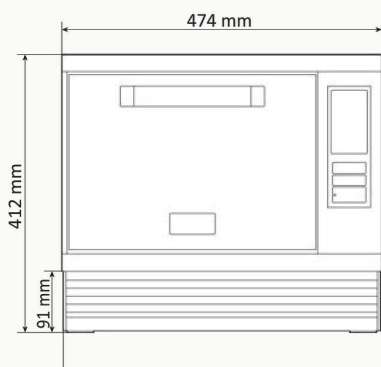
Create and customise recipes to match your menu. Add names, images, and settings tailored to your oven's needs. Save, upload, and download recipes securely to the cloud for easy access anytime.

## In-App Support

Access support whenever you need it. Get in touch with our team, watch exclusive training videos, and find product information - all in one place.



### TECHNICAL DRAWING



Scan to Download the  
SCV Control Hub  
(Windows Version)

