

## Four Solid Door Underbench GN 1/1 Fridge

**Range:** ProSpec  
**SKOPE ID:** P1BR4-A1  
**Dimensions:** 2210 mm (W) × 700 mm (D) × 850 mm (H)  
**Gross Volume:** 609 L

**Project:** \_\_\_\_\_

**Item #:** \_\_\_\_\_



A four solid door underbench fridge designed for busy kitchens at venues such as restaurants, clubs, pubs, and cafés. The fridge is engineered to safely store food in ambient environments of up to 40°C (climate class 5). With GEMS-certified 5M1 performance, standard storage temperatures range from 1°C to 4°C, or are adjustable via the SKOPE-connect smartphone app for specific food types from -2°C to 15°C. The fridge is made from food-safe 304 AISI stainless steel throughout the interior and exterior. The 700 mm deep cabinet with a fully welded and integrated worktop can be configured to suit multiple installation options. At 850 mm overall height, it can be positioned under a bench on the supplied castors, positioned on a pre-installed plinth by removing the castors, or fitted with optional legs for a finished working height of 900 mm. The four self-closing solid swing doors are fitted with ergonomic 3 mm gauge stainless steel handles, built-in barrel locks, and a stay-open position of 90°. Inside the fridge, there is a door-activated LED light and 2 × 304 stainless steel GN1/1 shelves per door on double-row runners, which can also hold an additional GN1/1 pan. The fridge is fully configurable, with the doors swappable for either two or three GN drawer bays. The slim left-hand service compartment features an easily removable and cleanable condenser filter. The fully removable refrigeration cartridge uses R290 natural refrigerant for low energy consumption, low heat discharge and low noise output. Right-hand services are also available. It is fully front breathing with no side or rear clearance space required and can be easily removed in line with best practice for safe servicing of flammable refrigerants. The fridge includes a smart controller that connects to the free SKOPE-connect app to enable you to set temperatures and alerts, monitor temperatures and energy, and more. The fridge is certified to all Australian and New Zealand refrigeration and electrical safety standards.



Warranty



Natural Refrigerant



GEMS



ChillGuard



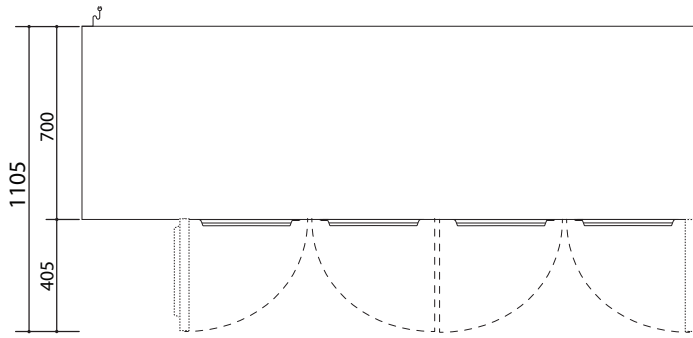
304 Stainless Steel



GN-compatible

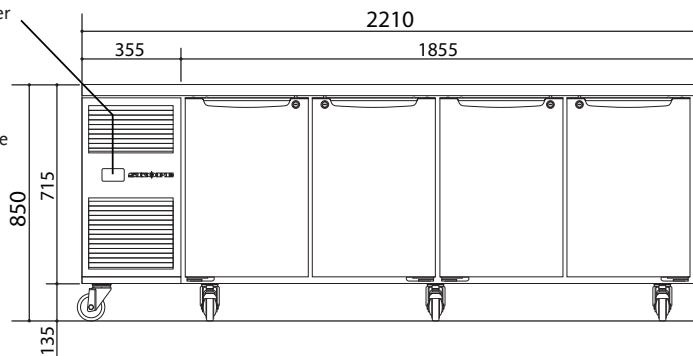


SKOPE-connect

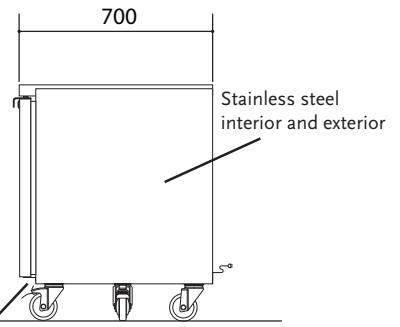


SKOPE-connect™ compatible controller

Side mount integral refrigeration cartridge



Coved internal floor



### Cabinet

<b>Type</b>	Underbench		
<b>Finish</b>	304 AISI stainless steel		
<b>Insulation</b>	Type	PU foam	
	Thickness (mm)	50	
	Blowing Agent	Cyclo-iso pentane (C5H10/C5H12)	
<b>Doors</b>	Type	Solid swing door (barrel lock)	
	Opening Size	Height (mm)	555
		Width (mm)	355
<b>Shelving</b>	Eight 304 stainless steel wire shelves 8 x shelf (330W x 540 [TBC]D)		
<b>Gastronorm</b>	Size	1/1	
<b>Lighting*</b>	3 x 400 mm, 4W LED lights (door-activated)		

### Dimensions†

	External	Internal	Packed
<b>Width (mm)</b>	2210	1735	TBC
<b>Depth (mm)</b>	700	580	TBC
<b>Height (mm)</b>	850 (standard castors)		
	860 to 900 (legs)		
	605 (plinth mount)		
<b>Weight (kg)</b>	155 [TBC]		TBC
<b>Gross Volume (L)</b>	609		
<b>Footprint (m<sup>2</sup>)</b>	1.55		

### Ventilation (mm)

Top	Sides	Rear
Not required	Not required	Not required

### Dimensional Tolerances

† Allow for dimensional tolerances when installing the cabinet(s).

Linear dimensions	Single cabinet		Multiple cabinets	
			At each joint	At each end wall
Less than 1 metre	±5 mm		±5 mm	+15 mm
More than 1 metre	-5 mm to +10 mm		-5 mm to +10 mm	+15 mm

### Performance

<b>Product Temperature Range (°C)</b>	1 to 4 (adjustable* from -2 to +15)	
<b>Maximum Ambient Temperature (°C)</b>	40	
<b>Sound Level (dB(A))</b>	Standard	TBC
	Hush Mode*	TBC

### Greenhouse and Energy Minimum Standards (GEMS)

<b>Star Rating</b>	TBC	
<b>Product Temperature Class</b>	5M1 (-1 to 5°C)	
<b>Total Energy Consumption</b>	TBC kWh/24 h	
<b>Annual Running Costs</b>	\$TBC (@ \$0.30/kWh)	

### Electrical

<b>Supply</b>	220-240 volts a.c., 50 Hz, single phase supply	
<b>Cord</b>	2 m power cord with 3-pin, 10 amp plug	
<b>Current draw (A)</b>	2.0	

### Refrigeration

<b>Controller</b>	SCS Connect (SKOPE-connect™ compatible)	
<b>System Type</b>	Removable cartridge	
<b>Cartridge Weight (kg)</b>	30	
<b>Refrigerant/Charge</b>	R290/95 g	
<b>Nominal Capacity (W)</b>	TBC	
<b>Heat Rejection (W)</b>	Average	Peak
<b>Defrost Type</b>	TBC	
<b>Drainage</b>	No plumbing required	



PG11.UBR.4.SD  
on the SKOPE website

\* Accessible via the free SKOPE-connect™ app.

