

**VALIDOEVO635LB**  
**VALIDOEVO1235LB**

Electric Pizza Deck Oven - Downward opening



VALIDOEVO635LBDG

- Single or Double chamber electric deck oven
- Digital controls (**DG**) or Electromechanical controls (**EM**)
- Downward opening door design
- Easy read internal temperature display
- 400°C maximum working temperature
- Independent control for top and bottom heat
- Refractory stone baking surface, 19mm thick
- Bake direct on the stone or in trays
- Internal halogen light
- Stainless steel front, door and handle



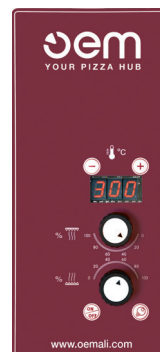
VALIDOEVO1235LBEM  
(on stand)

**ACCESSORIES**

- OMSU515 - Painted steel stand - W1450mm x D900mm X H900mm  
Adjustable height on wheels - 78kg
- OM08092 - Neutral chamber - W1450mm x D900mm x H900mm - 78kg
- OM08093 - Heated chamber - W1450mm x D900mm x H900mm - 108kg
- OM60.00774 x2 - 2 sets of 6 slide bars for trays

**Also Available**

- VALIDOEVO635LBEM - Single Chamber - Electromechanical
- VALIDOEVO635LBDG - Single Chamber - Digital
- VALIDOEVO1235LBEM - Double Chamber - Electromechanical
- VALIDOEVO1235LBDG - Double Chamber - Digital



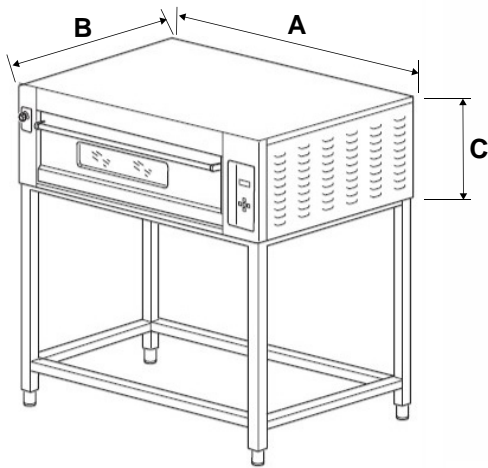
Electromechanical



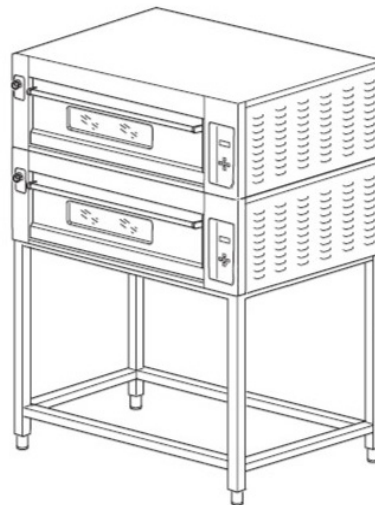
Digital

# VALIDOEVO635LB VALIDOEVO1235LB

## Electric Pizza Deck Oven - Downward opening



VALIDOEVO635LB



VALIDOEVO1235LB

### SPECIFICATIONS - VALIDOEVO635LB

#### External Dimensions

Width (A)	1460mm
Depth (B)	972mm
Height (C)	390mm

#### Internal Dimensions

Width (A)	1136mm
Depth (B)	738mm
Height (C)	105mm

#### Electrical Requirements

400V, 3P+N+E, 50Hz, 12.8kW

#### Nett Weight

199kg

### SPECIFICATIONS - VALIDOEVO1235LB

#### External Dimensions

Width (A)	1460mm
Depth (B)	972mm
Height (C)	780mm

#### Internal Dimensions

Width (A)	1136mm
Depth (B)	738mm
Height (C)	100mm

#### Electrical Requirements

400V, 3P+N+E, 50Hz, 25.6kW

#### Nett Weight

398kg

moffat.com.au  
moffat.co.nz

Australia  
moffat.com.au  
Moffat Pty Limited

Victoria/Tasmania  
740 Springvale Road  
Mulgrave, Victoria 3170  
Telephone +613-9518 3888  
Facsimile +613-9518 3833  
vsales@moffat.com.au

New South Wales  
Telephone +612-8833 4111  
nswsales@moffat.com.au

South Australia  
Telephone +613-9518 3888  
vsales@moffat.com.au

Queensland  
Telephone +617-3630 8600  
qldsales@moffat.com.au

Western Australia  
Telephone +618-9413 2400  
wasales@moffat.com.au

New Zealand  
moffat.co.nz

Moffat Limited

Rolleston  
45 Illinois Drive  
Izone Business Hub  
Rolleston 7675  
Telephone +64 3-983 6600  
Facsimile +64 3-983 6660  
sales@moffat.co.nz

Auckland  
Telephone +64 9-574 3150  
sales@moffat.co.nz



In line with policy to continually develop and improve its products, Moffat Limited reserves the right to change specifications and design without notice. This specification sheet is meant for commercial purpose only. For technical documentation please refer to our service manuals.

© Copyright Moffat Ltd  
AN.O.0521

an Ali Group Company



The Spirit of Excellence