

## **PF50MT**

Press Form - 50cm Flat Plates, Electromechanical



**PF50MT**

- Heated moulding press for pizza bases
- Maximum output 250 pizza bases / hour
- 180°C maximum operating temperature
- 50cm maximum diameter
- Supplied with flat upper and lower plates
- Fully guarded for operator safety
- Simple and quick operation

### **ACCESSORIES**

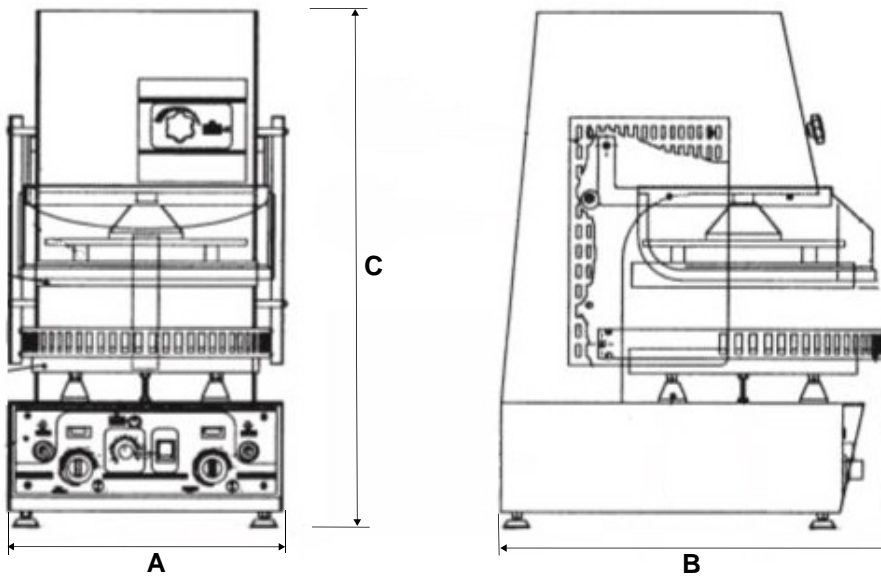
- OMSU500 - Painted steel base with stainless steel drawer
- OMSU442 - Painted steel stand with stainless steel drawer
- OMAC210R0 Set of 4 wheels, (2 with brakes) to suit stand
- OMAL085R0 Anti stick fabric, 700mm wide, per meter

### **Also Available**

- PF50MTSV.2MM - 2mm Flared Upper Plate
- PF50MTSV.4MM - 2mm Flared Upper & Lower Plate
- PF33MT - 330mm Press Form
- PF35MT - 350mm Press Form
- PF45MTE - 450mm Press Form
- PF46MT - 460mm Press Form

## PF50MT

### Press Form - 50cm Flat Plates, Electromechanical



PF50MT

#### SPECIFICATIONS

##### External Dimensions

|            |       |
|------------|-------|
| Width (A)  | 545mm |
| Depth (B)  | 716mm |
| Height (C) | 840mm |

##### Plates

###### PF50MT

Flat upper & lower plates

###### PF50MTSV.2MM

2mm flared upper plates

###### PF50MTSV.44MM

2mm flared upper & lower plates

##### Electrical Requirements

400V, 3P+N+E, 50Hz, 6.4kW

##### Nett Weight

222kg

moffat.com.au

moffat.co.nz

Australia

moffat.com.au

Moffat Pty Limited

Victoria/Tasmania

740 Springvale Road

Mulgrave, Victoria 3170

Telephone +613-9518 3888

Facsimile +613-9518 3833

vsales@moffat.com.au

New South Wales

Telephone +612-8833 4111

nswsales@moffat.com.au

South Australia

Telephone +613-9518 3888

vsales@moffat.com.au

Queensland

Telephone +617-3630 8600

qldsales@moffat.com.au

Western Australia

Telephone +618-9413 2400

wasales@moffat.com.au

New Zealand

moffat.co.nz

Moffat Limited

Rolleston

45 Illinois Drive

Izone Business Hub

Rolleston 7675

Telephone +64 3-983 6600

Facsimile +64 3-983 6660

sales@moffat.co.nz

Auckland

Telephone +64 9-574 3150

sales@moffat.co.nz



In line with policy to continually

develop and improve its

products, Moffat Limited

reserves the right to change

specifications and design

without notice.

This specification sheet is meant

for commercial purpose only.

For technical documentation please

refer to our service manuals.

© Copyright Moffat Ltd  
AN.O.0521

an Ali Group Company



The Spirit of Excellence