

PF35MT

Press Form - 35cm Flat Plates, Electromechanical



PF35MT

- Heated moulding press for pizza bases
- Maximum output 250 pizza bases / hour
- 180°C maximum operating temperature
- 35cm maximum diameter
- Supplied with flat upper and lower plates
- Fully guarded for operator safety
- Simple and quick operation

ACCESSORIES

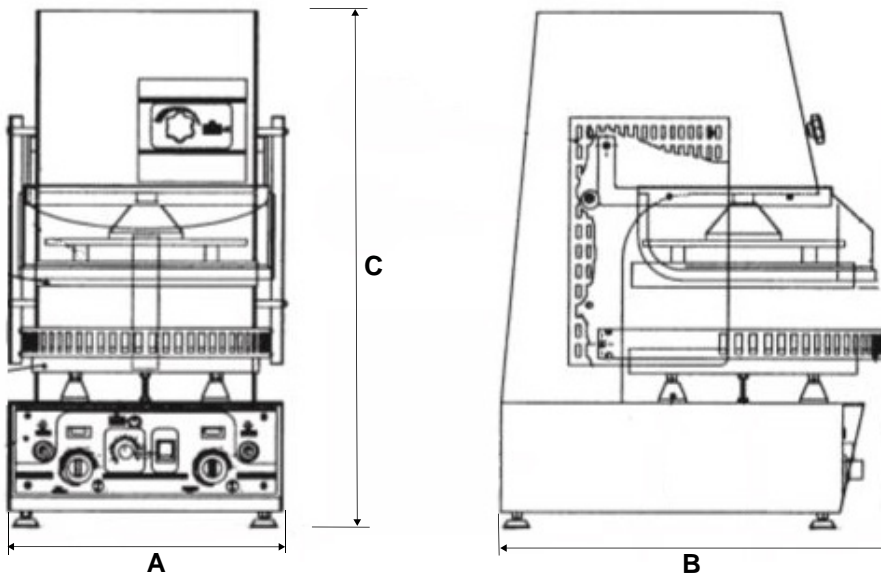
- OMSU500 - Painted steel base with stainless steel drawer
- OMSU442 - Painted steel stand with stainless steel drawer
- OMAC210R0 - Set of 4 wheels (2 with brakes) to suit stand
- OMAL085R0 Anti stick fabric, 700mm wide, per meter

Also Available

- PF35MTSV.2MM - 2mm Flared Upper Plate
- PF35MTSV.4MM - 2mm Flared Upper & Lower Plate
- PF33MT - 330mm Press Form
- PF45MTE - 450mm Press Form
- PF46MT - 460mm Press Form
- PF50MT - 500mm Press Form

PF35MT

Press Form - 35cm Flat Plates, Electromechanical



PF35MT

SPECIFICATIONS

External Dimensions

Width (A)	429mm
Depth (B)	582mm
Height (C)	781mm

Plates

PF35MT

Flat upper & lower plates

PF35MTSV.2MM

2mm flared upper plates

PF35MTSV.44MM

2mm flared upper & lower plates

Electrical Requirements

400V, 3P+N+E, 50Hz, 3.4kW

Nett Weight

128kg

moffat.com.au

moffat.co.nz

Australia

moffat.com.au

Moffat Pty Limited

Victoria/Tasmania

740 Springvale Road

Mulgrave, Victoria 3170

Telephone +613-9518 3888

Facsimile +613-9518 3833

vsales@moffat.com.au

New South Wales

Telephone +612-8833 4111

nswsales@moffat.com.au

South Australia

Telephone +613-9518 3888

vsales@moffat.com.au

Queensland

Telephone +617-3630 8600

qldsals@moffat.com.au

Western Australia

Telephone +618-9413 2400

wasales@moffat.com.au

New Zealand

moffat.co.nz

Moffat Limited

Rolleston

45 Illinois Drive

lzone Business Hub

Rolleston 7675

Telephone +64 3-983 6600

Facsimile +64 3-983 6660

sales@moffat.co.nz

Auckland

Telephone +64 9-574 3150

sales@moffat.co.nz



In line with policy to continually

develop and improve its

products, Moffat Limited

reserves the right to change

specifications and design

without notice.

This specification sheet is meant

for commercial purpose only.

For technical documentation please

refer to our service manuals.

© Copyright Moffat Ltd
AN.O.0521

an Ali Group Company



The Spirit of Excellence