

## HELIOS530

Electric Rotating Pizza Deck Oven

# INDUSTRY KITCHENS

[www.industrykitchens.com.au](http://www.industrykitchens.com.au) 1800 611 058



HELIOS530

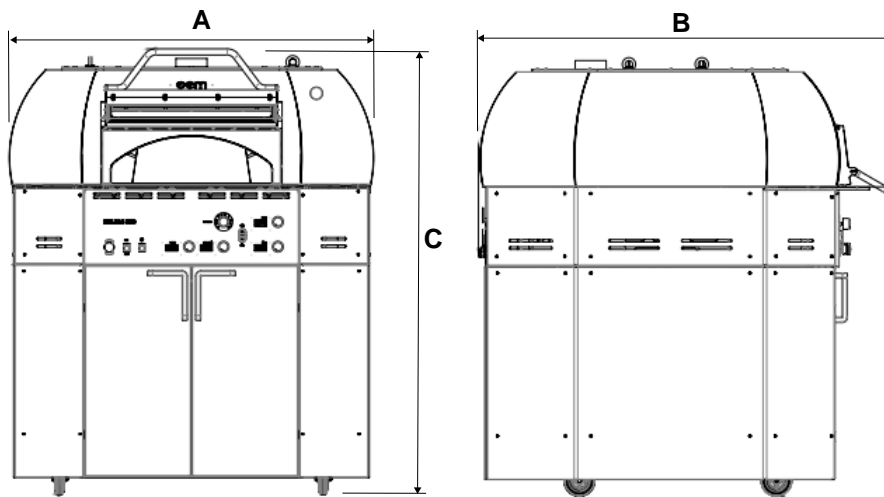
- Single deck electric oven with rotating baking surface
- Simple and intuitive control panel
- Door opens upwards
- Front in refractory and enamel material
- Tempered glass holding shelf on the front
- Interior side of chamber coated in refractory material
- Rotating baking surface in refractory stone
- Speed regulation and possibility to reverse direction
- Independent regulation of upper and lower elements
- 530°C maximum internal temperature
- Suitable for mounting on a stand or for recessing into a wall cavity

#### ACCESSORIES

- OMSU561 - Painted steel stand - W1440mm x D1400mm X H930mm  
Height not adjustable - 90kg
- OMSU560 - Neutral chamber - W1440mm x D1460mm x H930mm - 150kg

## HELIOS530

### Electric Rotating Pizza Deck Oven



HELIOS530

#### SPECIFICATIONS

##### External Dimensions

Width	1440mm
Depth	1580mm
Height	835mm

##### Internal Dimensions

Width	1130mm
Depth	1150mm
Height	210mm

##### Electrical Requirements

400V, 3P+N+E, 50Hz, 18kW

##### Nett Weight

410kg

[moffat.com.au](http://moffat.com.au)

[moffat.co.nz](http://moffat.co.nz)

Australia

[moffat.com.au](http://moffat.com.au)

Moffat Pty Limited

Victoria/Tasmania

740 Springvale Road

Mulgrave, Victoria 3170

Telephone +613-9518 3888

Facsimile +613-9518 3833

[vsales@moffat.com.au](mailto:vsales@moffat.com.au)

New South Wales

Telephone +612-8833 4111

[nswsales@moffat.com.au](mailto:nswsales@moffat.com.au)

South Australia

Telephone +613-9518 3888

[vsales@moffat.com.au](mailto:vsales@moffat.com.au)

Queensland

Telephone +617-3630 8600

[qldsales@moffat.com.au](mailto:qldsales@moffat.com.au)

Western Australia

Telephone +618-9413 2400

[wasales@moffat.com.au](mailto:wasales@moffat.com.au)

New Zealand

[moffat.co.nz](http://moffat.co.nz)

Moffat Limited

Rolleston

45 Illinois Drive

Izone Business Hub

Rolleston 7675

Telephone +64 3-983 6600

Facsimile +64 3-983 6660

[sales@moffat.co.nz](mailto:sales@moffat.co.nz)

Auckland

Telephone +64 9-574 3150

[sales@moffat.co.nz](mailto:sales@moffat.co.nz)



In line with policy to continually develop and improve its products, Moffat Limited reserves the right to change specifications and design without notice. This specification sheet is meant for commercial purpose only. For technical documentation please refer to our service manuals.

© Copyright Moffat Ltd  
AN.O04.24