



HHT162E

Hot holding trolley

CONSTRUCTION FEATURES

- Tightness chamber with radiuses corners
- All-around rubber bumpers
- Total thermic insulation with rock or glass wood
- Long lasting front and doors seals made up of food grade of high heat resistance
- Double door to reduce mostly the drop in temperature at opening
- Removable side racks to facilitate cleaning
- Static heating provided by low consumption wire heating element that coils up all the chamber
- Ergonomic and fully built-in door handles with magnetic closure
- Mounted on four 150 mm diameter castors, two of which with brake
- Ergonomic handle for pushing and guiding
- Easy access to facilitate maintenance and repair

FUNCTIONAL FEATURES

- Electronic control of the temperature
- Operating temperature 30°-120°C
- Two adjustable humidity vents on the door
- Chamber with safety thermostat

STANDARD SUPPLY

- Removable GN 2/1 and GN 1/1 tray racks

OPTIONS & ACCESSORIES

- Pass-through design



MODULINESRL

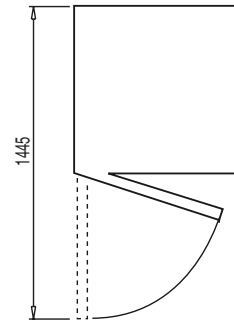
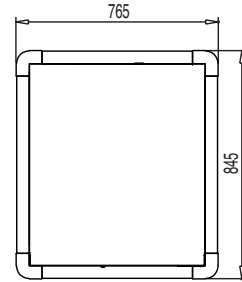
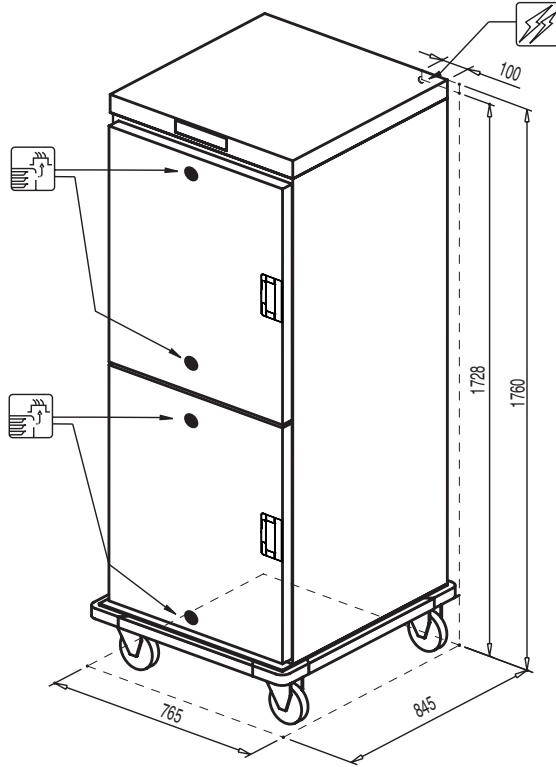
Via dell'Industria 11, Z.I. San Giacomo di Veglia 31029 Vittorio Veneto (TV) - ITALY
 tel. +39 0438 5063 - fax +39 0438 912 323 - info@moduline.it - www.moduline.it



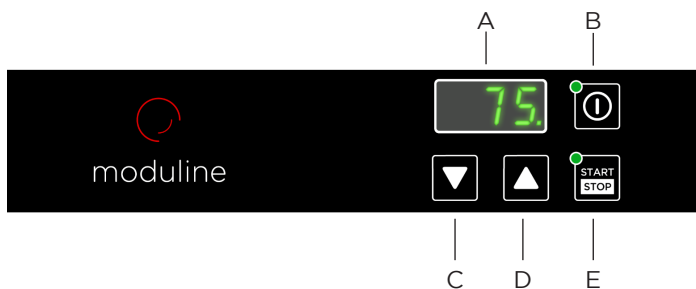
moduline

**TECHNICAL
INSTALLATION
DIAGRAM**

- Electricity supply cable inlet 
- Adjustable vent for release of excess humidity 



Overall dimensions (W x D x H) - mm	765 x 845 x 1760
Trays capacity	16 x GN 2/1 32 x GN 1/1
Tray max. height GN 2/1 [mm]	16 x 65 (h) 6 x 150 (h) 4 x 200 (h) + 4 x 65 (h)
Tray max. height GN 1/1 [mm]	32 x 65 (h) 12 x 150 (h) 8 x 200 (h) + 8 x 65 (h)
Power kW	3
Power supply	AC 230 V / 50 Hz



- A Display
- B ON/OFF switch
- C Temperature decrease key
- D Temperature increase key
- E START/STOP key

MODULINESRL

Via dell'Industria 11, Z.I. San Giacomo di Veglia 31029 Vittorio Veneto (TV) - ITALY
tel. +39 0438 5063 - fax +39 0438 912 323 - info@moduline.it - www.moduline.it