

PREMIUM STAINLESS STEEL BENCHES

Flat Top Work Bench

FEATURES

- Flat top work bench available in 600 or 700 deep
- 1.2mm thick stainless steel top
- 41mm diameter round stainless steel tube legs, 1.2mm thick
- Adjustable stainless steel feet fitted as standard
- 1.2mm thick stainless steel under-shelf with top hat stiffening
- 2100 & 2400mm length units supplied with 6 legs
- Supplied flat packed ready for assembly



Model	Dimensions (mm)	Net weight (kg)	Packaging Dimensions (mm)	Gross weight (kg)	RRP ex GST
WTS606	W600 x D600 x H900	14.7	W920 x D620 x H80	16	\$443
WTS609	W900 x D600 x H900	16.4	W920 x D620 x H80	17.8	\$512
WTS612	W1200 x D600 x H900	22.3	W1220 x D620 x H80	24.2	\$627
WTS615	W1500 x D600 x H900	26.7	W1520 x D620 x H80	29	\$719
WTS618	W1800 x D600 x H900	32.5	W1820 x D620 x H80	35.3	\$822
WTS621	W2100 x D600 x H900	38.2	W2120 x D620 x H80	41.5	\$995
WTS624	W2400 x D600 x H900	43	W2420 x D620 x H80	46	\$1110

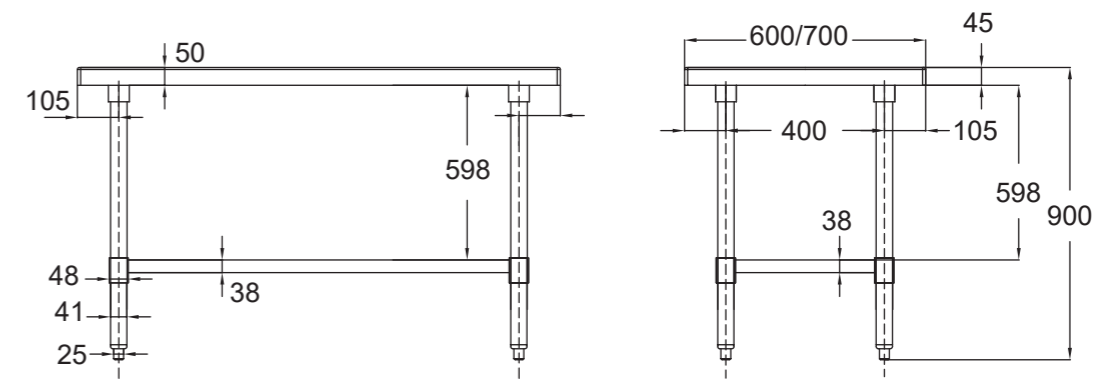
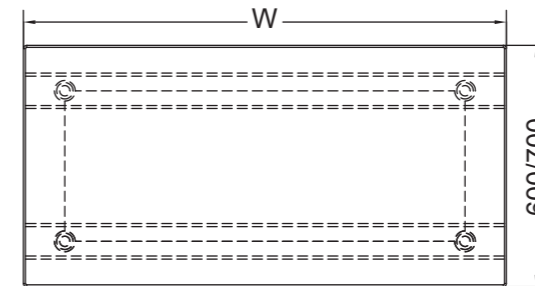


WTS706	W600 x D700 x H900	15.2	W920 x D720 x H80	16.5	\$466
WTS709	W900 x D700 x H900	17.9	W920 x D720 x H80	19.5	\$546
WTS712	W1200 x D700 x H900	25.6	W1220 x D720 x H80	27.8	\$638
WTS715	W1500 x D700 x H900	29.9	W1520 x D720 x H80	32.5	\$753
WTS718	W1800 x D700 x H900	36.5	W1820 x D720 x H80	39.7	\$857
WTS721	W2100 x D700 x H900	44.8	W2120 x D720 x H80	48.7	\$1041
WTS724	W2400 x D700 x H900	49.7	W2420 x D720 x H80	54	\$1156

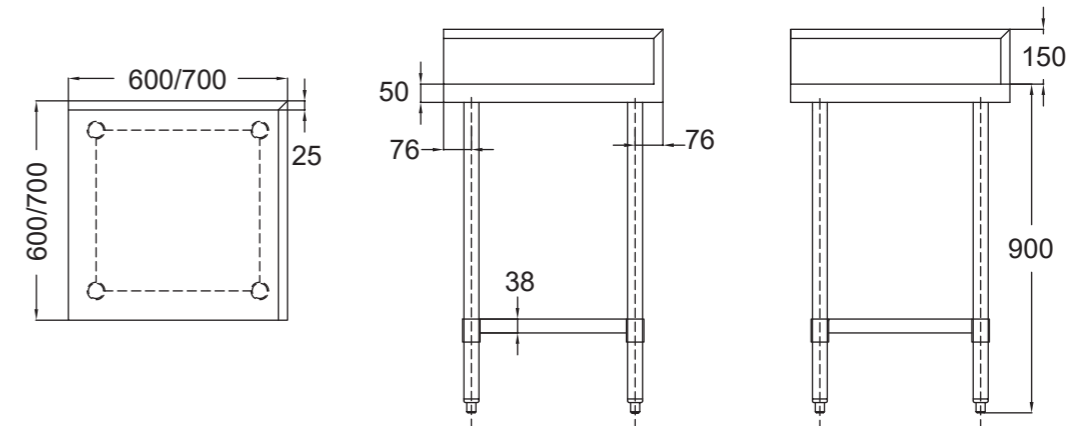


Model	Dimensions (mm)	Net weight (kg)	Splashback	Packaging Dimensions (mm)	Gross weight (kg)	RRP ex GST
WTCS6B	W600 x D600 x H900	20	150mm	W650 x D700 x H170	23	\$638
WTCS7B	W700 x D700 x H900	23	150mm	W750 x D800 x H170	26	\$696

WTS



WTCS



* All prices are EX-GST

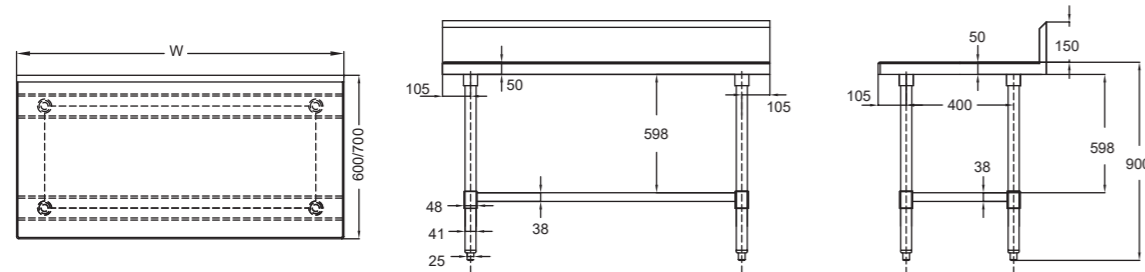
* All prices are EX-GST

PREMIUM STAINLESS STEEL BENCHES

Work Bench with Splash-back

FEATURES

- Work bench with rear splashback, available in 600mm or 700mm depth
- 1.2mm thick stainless steel top
- 41mm diameter round stainless steel tube legs, 1.2mm thick
- Adjustable stainless steel feet fitted as standard
- 1.2mm thick stainless steel under-shelf with top hat stiffening
- 2100 & 2400mm length units supplied with 6 legs
- Supplied flat packed ready for assembly
- Splash back height 150mm



Model	Dimensions (mm)	Net weight (kg)	Splashback	Packaging Dimensions (mm)	Gross weight (kg)	RRP ex GST
WTS606B	W600 x D600 x H900	15.6	150mm	W920 x D700 x H100	17	\$500
WTS609B	W900 x D600 x H900	17.3	150mm	W920 x D700 x H100	18.8	\$558
WTS612B	W1200 x D600 x H900	23.2	150mm	W1220 x D700 x H100	25.2	\$650
WTS615B	W1500 x D600 x H900	27.6	150mm	W1520 x D700 x H100	30	\$776
WTS618B	W1800 x D600 x H900	33.4	150mm	W1820 x D700 x H100	36.3	\$857
WTS621B	W2100 x D600 x H900	39.1	150mm	W2120 x D700 x H100	42.5	\$1041
WTS624B	W2400 x D600 x H900	44.8	150mm	W2420 x D700 x H100	48.7	\$1156

WTS703B	W300 x D700x H900	12.3	150mm	W920 x D817 x H256	13.4	\$279
WTS7045B	W450 x D700x H900	14.5	150mm	W920 x D817 x H256	15.8	\$339
WTS706B	W600 x D700 x H900	17.1	150mm	W920 x D800 x H100	18.6	\$500
WTS709B	W900 x D700 x H900	18.9	150mm	W920 x D800 x H100	20.5	\$604
WTS712B	W1200 x D700 x H900	26.5	150mm	W1220 x D800 x H100	28.8	\$673
WTS715B	W1500 x D700 x H900	30.8	150mm	W1520 x D800 x H100	33.5	\$788
WTS718B	W1800 x D700 x H900	37.4	150mm	W1820 x D800 x H100	40.7	\$903
WTS721B	W2100 x D700 x H900	45.7	150mm	W2120 x D800 x H100	49.7	\$1064
WTS724B	W2400 x D700 x H900	50.8	150mm	W2420 x D800 x H100	55.2	\$1190

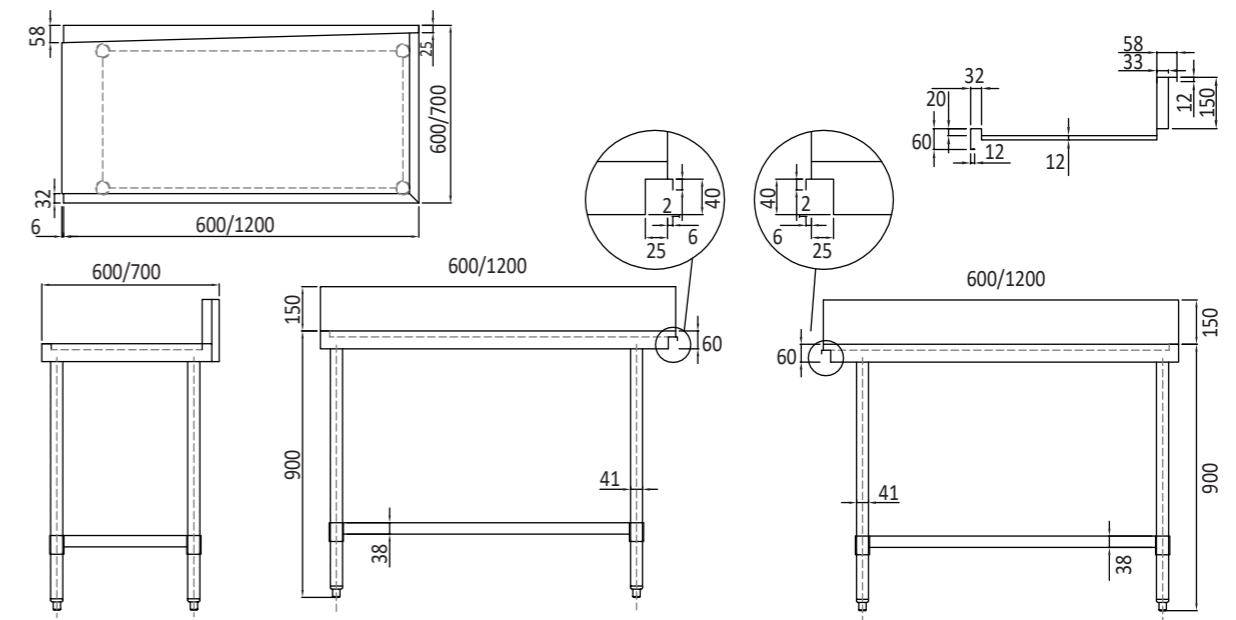
* All prices are EX-GST

PREMIUM STAINLESS STEEL BENCHES

Stainless Steel Dishwasher Bench Outlet

FEATURES

- Suits most leading brands of popular commercial dishwashers
- Bench available in 600 and 700mm depth
- 304 grade, 1.2mm thick stainless steel top
- 150mm splash back
- Available as left or right handed exit
- Supplied flat packed ready for self-assembly
- Splash back height 150mm



Model	Dimensions (mm)	Net weight (kg)	Splashback	Packaging Dimensions (mm)	Gross weight (kg)	RRP ex GST
WST6060L/R	W600 x D600 x H900	23.2	150mm	W630 x D870 x H300	25.2	\$529
WST6120L/R	W1200 x D600 x H900	27.6	150mm	W635 x D1240 x H300	30	\$799
WST7060L/R	W600 x D700 x H900	33.4	150mm	W735 x D870x H300	36.3	\$529
WST7120L/R	W1200 x D700 x H900	26.5	150mm	W735 x D1240 x H300	28.8	\$799

* All prices are EX-GST

PREMIUM STAINLESS STEEL SINKS

Sink Bench with Splashback - 700mm Depth

FEATURES

- Wet bench with fabricated sink bowl
- 1.2mm thick stainless steel top
- 41mm diameter round stainless steel tube legs, 1.2mm thick
- Adjustable stainless steel feet fitted as standard (2100 & 2400 models supplied with six legs as standard)
- Bowl size 450mm x 450mm x 300mm available Left, Right or Centre of bench - please specify L, R or C on order
- For the suitability of fitting a dishwasher underneath sink benches supplied with leg braces, contact your dealer representative
- Pre-punched waste hole to suit 90mm waste
- Supplied flat packed ready for assembly
- Splash back height 150mm

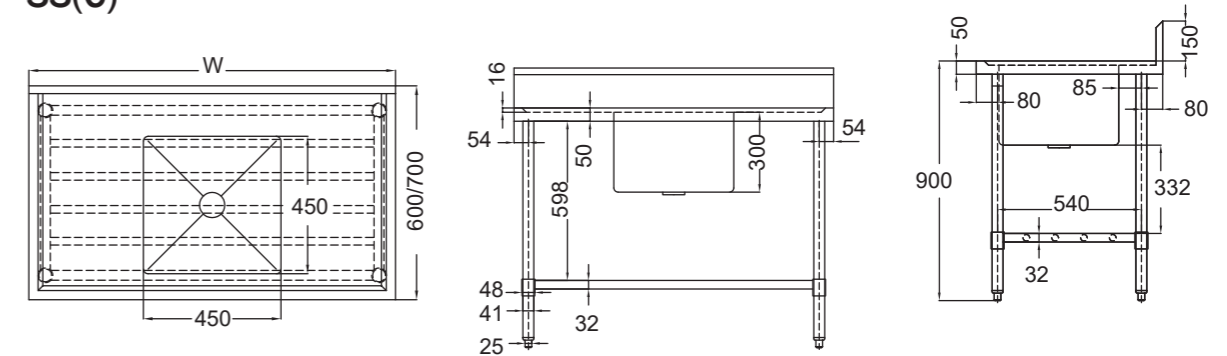


Model	Dimensions (mm)	Net weight (kg)	Splashback	Packaging Dimensions (mm)	Gross weight (kg)	RRP ex GST
SS1606	W600 x D600 x H900	18.9	150mm	W640 x D640 x H480	20.5	\$834
SS1609C	W900 x D600 x H900	21.8	150mm	W940 x D640 x H480	23.7	\$960
SS1612C/L/R	W1200 x D600 x H900	25	150mm	W1240 x D640 x H480	27.2	\$937
SS1615C/L/R	W1500 x D600 x H900	27.8	150mm	W1540 x D640 x H480	30.2	\$1167
SS1618C/L/R	W1800 x D600 x H900	34.6	150mm	W1840 x D640 x H480	37.6	\$1236
SS1621C/L/R	W2100 x D600 x H900	41.4	150mm	W2140 x D640 x H480	45	\$1386
SS1624C/L/R	W2400 x D600 x H900	45	150mm	W2440 x D640 x H480	48.9	\$1524
SS1706	W600 x D700 x H900	19.8	150mm	W 640 x D740 x H 480	21.5	\$880
SS1709C	W900 x D700 x H900	22.7	150mm	W 940 x D740 x H 480	24.7	\$972
SS1712C/L/R	W1200 x D700 x H900	25.9	150mm	W 1240 x D740 x H 480	28.2	\$1225
SS1715C/L/R	W1500 x D700 x H900	28.7	150mm	W 1540 x D740 x H 480	31.2	\$1236
SS1718C/L/R	W1800 x D700 x H900	35.5	150mm	W 1840 x D740 x H 480	38.6	\$1374
SS1721C/L/R	W2100 x D700 x H900	42.3	150mm	W 2140 x D740 x H 480	46	\$1524
SS1724C/L/R	W2400 x D700 x H900	45.9	150mm	W 2440 x D740 x H 480	49.9	\$1754

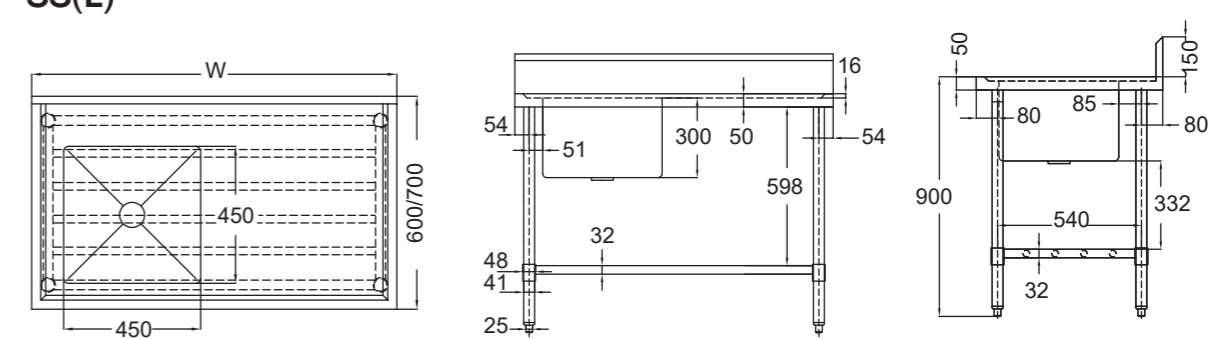
* All prices are EX-GST

PREMIUM STAINLESS STEEL SINKS

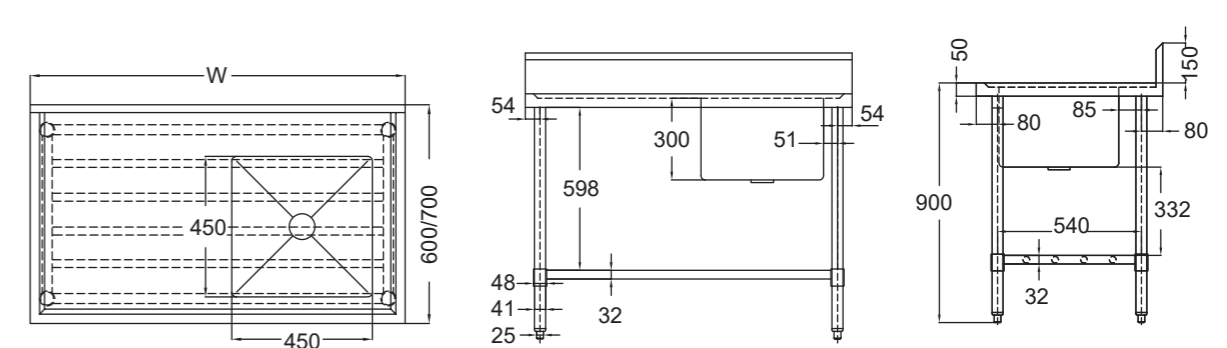
SS(C)



SS(L)



SS(R)



* All prices are EX-GST

PREMIUM STAINLESS STEEL SINKS

Double Sink Bench - 600mm / 700mm Depth

FEATURES

- Wet bench with fabricated sink bowl
- 1.2mm thick stainless steel top
- 41mm diameter round stainless steel tube legs, 1.2mm thick
- Adjustable stainless steel feet fitted as standard (2100 & 2400 models supplied with six legs as standard)
- Bowl size 450mm x 450mm x 300mm available Left, Right or Centre of bench - please specify L, R or C on order
- For the suitability of fitting a dishwasher underneath sink benches supplied with leg braces, contact your dealer representative
- Pre-punched waste hole to suit 90mm waste
- Supplied flat packed ready for assembly
- Splash back height 150mm

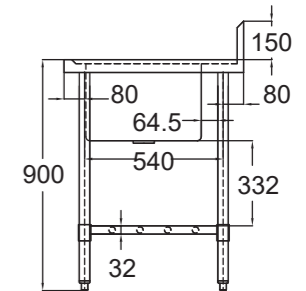
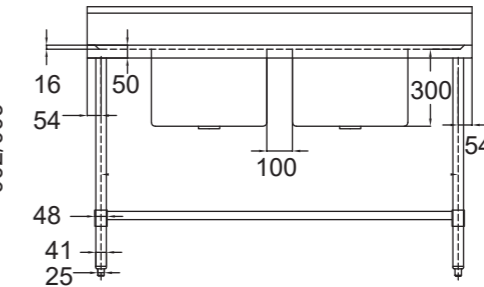
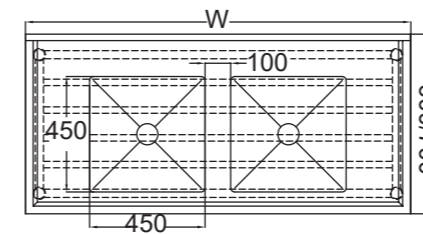


Model	Dimensions (mm)	Net weight (kg)	Splashback	Packaging Dimensions (mm)	Gross weight (kg)	RRP ex GST
SS2612	W1200 x D600 x H900	29	150mm	W1240 x D640 x H480	31.5	\$1103
SS2615	W1500 x D600 x H900	31.5	150mm	W1540 x D640 x H480	34.2	\$1190
SS2618 L/R/C	W1800 x D600 x H900	38.3	150mm	W1840 x D640 x H480	41.6	\$1386
SS2621 L/R/C	W2100 x D600 x H900	46	150mm	W2140 x D640 x H480	50	\$1466
SS2624 L/R/C	W2400 x D600 x H900	49.7	150mm	W2440 x D640 x H480	54	\$1593
SS2712	W1200 x D700 x H900	29.9	150mm	W1240 x D740 x H480	32.5	\$1212
SS2715	W1500 x D700 x H900	32.3	150mm	W1540 x D740 x H480	35.1	\$1432
SS2718 L/R/C	W1800 x D700 x H900	40.9	150mm	W1840 x D740 x H480	44.5	\$1512
SS2721 L/R/C	W2100 x D700 x H900	49.7	150mm	W2140 x D740 x H480	54	\$1938
SS2724 L/R/C	W2400 x D700 x H900	53.4	150mm	W2440 x D740 x H480	58	\$2225

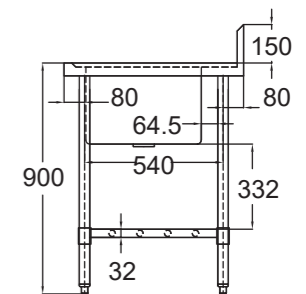
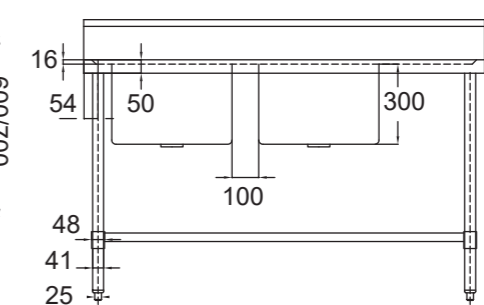
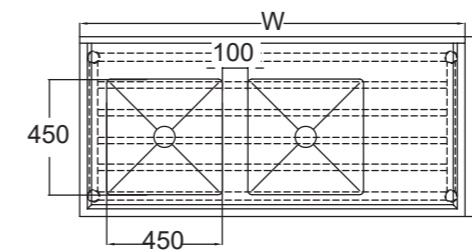
* All prices are EX-GST

PREMIUM STAINLESS STEEL SINKS

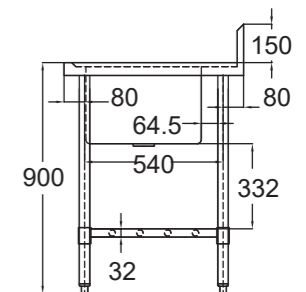
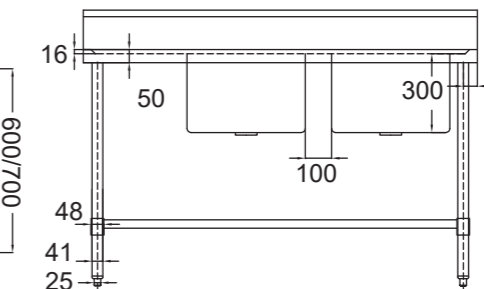
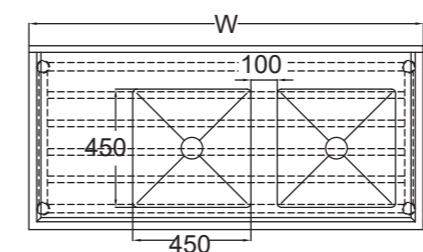
SS(C)



SS(L)



SS(R)



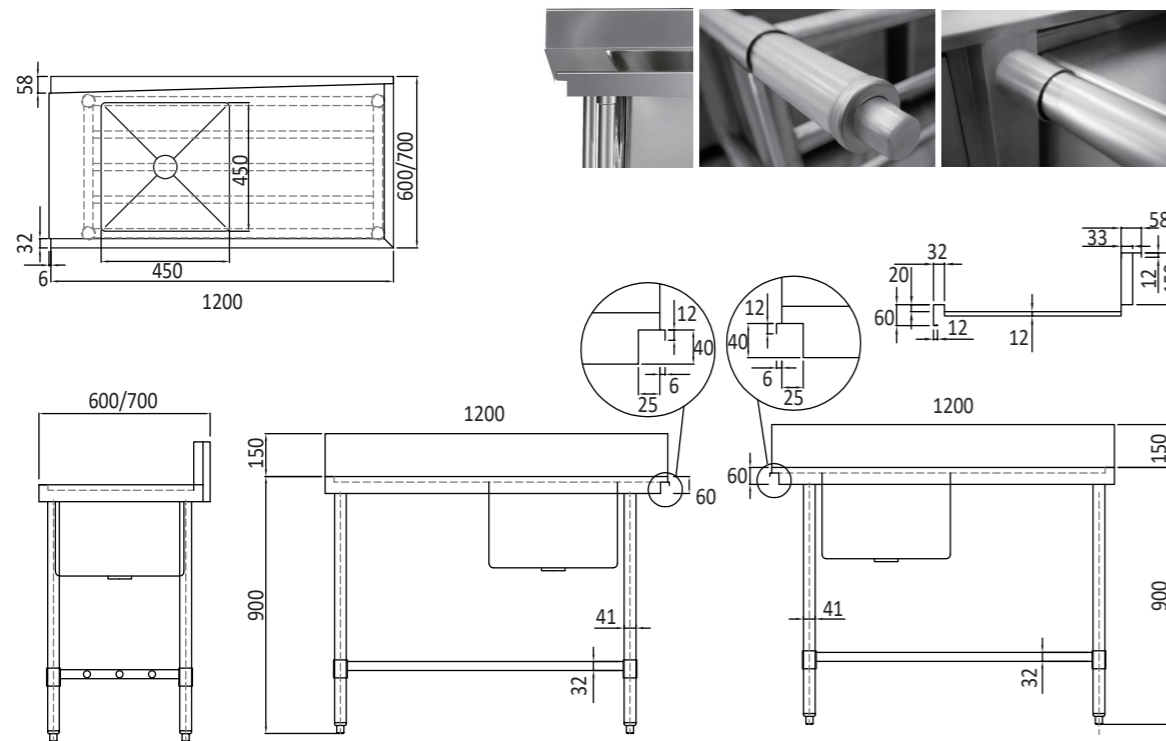
* All prices are EX-GST

PREMIUM STAINLESS STEEL SINKS

Stainless Steel Dishwasher Single Inlet Sink

FEATURES

- Suits most leading brand of popular commercial dishwashers
- Bench available in 600 and 700mm depth
- 304 grade, 1.2mm thick stainless steel top
- Wet bench with fabricated sink bowl
- 1.2mm thick stainless steel top
- 41mm diameter round stainless steel tube legs, 1.2mm thick
- Adjustable stainless steel feet fitted as standard
- Splash back high 150mm



Model	Dimensions (mm)	Net weight (kg)	Splashback	Packaging Dimensions (mm)	Gross weight (kg)	ex GST
WSS16120L/R	W1200 x D600 x H900	27.8	150mm	W1730 x D680 x H490	30.2	\$926
WSS17120L/R	W1200 x D700 x H900	28.7	150mm	W1730 x D780 x H490	31.2	\$1011

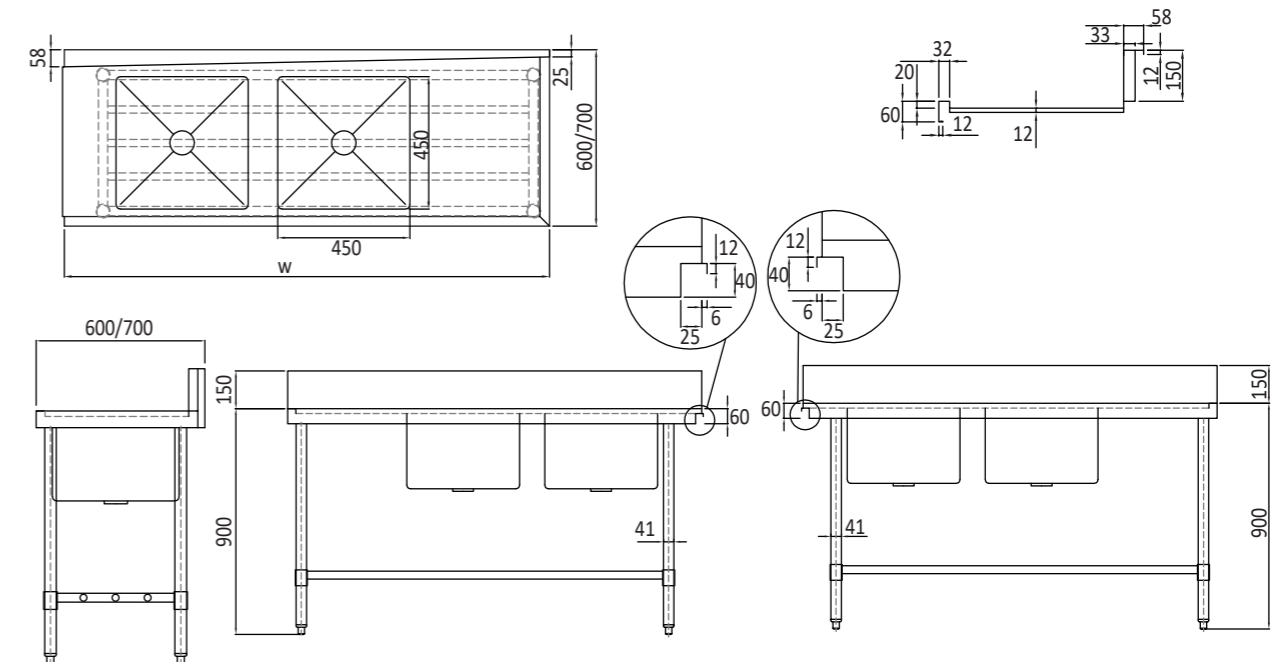
* All prices are EX-GST

PREMIUM STAINLESS STEEL SINKS

Stainless Steel Dishwasher Double Inlet Sink

FEATURES

- Suits most leading brands of popular commercial dishwashers
- Bench available in 600 and 700mm depth
- 304 grade, 1.2mm thick stainless steel top
- Wet bench with fabricated sink bowl
- 1.2mm thick stainless steel top
- 41mm diameter round stainless steel tube legs, 1.2mm thick
- Adjustable stainless steel feet fitted as standard
- Splash back high 150mm




Model	Dimensions (mm)	Net weight (kg)	Splashback	Packaging Dimensions (mm)	Gross weight (kg)	ex GST
WSS26165L/R	W1650 x D600 x H900	31.5	150mm	W1730 x D680 x H490	34.2	\$1386
WSS27165L/R	W1650 x D700 x H900	32.3	150mm	W1730 x D780 x H490	35.1	\$1616


* All prices are EX-GST

PREMIUM STAINLESS STEEL SINKS

FEATURES

- 1.2mm thick stainless steel brackets(number supplied according to length)
- Supplied flat packed ready for assembly and fitting (1 box including brackets)

	Model	Dimensions (mm)	Packaging Dimensions (mm)	RRP ex GST
Solid Wall Shelves 	SWS06	W600 x D300 x H255	W620 x D320 x H120	\$155
	SWS09	W900 x D300 x H255	W920 x D320 x H120	\$178
	SWS12	W1200 x D300 x H255	W1220 x D320 x H120	\$224
	SWS15	W1500 x D300 x H255	W1520 x D320 x H120	\$259
	SWS18	W1800 x D300 x H255	W1820 x D320 x H120	\$293
	SWS21	W2100 x D300 x H255	W2120 x D320 x H120	\$351
	SWS24	W2400 x D300 x H255	W2420 x D320 x H120	\$385

	Model	Dimensions (mm)	Packaging Dimensions (mm)	RRP ex GST
Pipe Wall Shelves 	PWS06	W600 x D300 x H255	W620 x D320 x H50	\$155
	PWS09	W900 x D300 x H255	W920 x D320 x H50	\$190
	PWS12	W1200 x D300 x H255	W1220 x D320 x H50	\$213
	PWS15	W1500 x D300 x H255	W1520 x D320 x H50	\$236
	PWS18	W1800 x D300 x H255	W1820 x D320 x H50	\$282
	PWS21	W2100 x D300 x H255	W2120 x D320 x H50	\$339
	PWS24	W2400 x D300 x H255	W2420 x D320 x H50	\$374

Over-shelves

- Single & double tier shelves for top mounting on benches
- 1.2mm thick stainless steel tops
- 3mm zincalume coated steel reinforced backing to over-shelf
- Stainless steel flanged feet for fixing to bench tops with covers
- Supplied flat packed ready for assembly

Model	Dimensions (mm)	Packaging Dimensions (mm)	RRP ex GST
SOS109	W900 x D300 x H450	W920 x D320 x H60	\$259
SOS112	W1200 x D300 x H450	W1220 x D320 x H60	\$305
SOS115	W1500 x D300 x H450	W1520 x D320 x H60	\$362
SOS118	W1800 x D300 x H450	W1820 x D320 x H60	\$374
SOS121	W2100 x D300 x H450	W2120 x D320 x H60	\$477
SOS209	W900 x D300 x H750	W920 x D320 x H90	\$408
SOS212	W1200 x D300 x H750	W1220 x D320 x H90	\$466
SOS215	W1500 x D300 x H750	W1520 x D320 x H90	\$512
SOS218	W1800 x D300 x H750	W1820 x D320 x H90	\$604
SOS221	W2100 x D300 x H750	W2120 x D320 x H90	\$753



* All prices are EX-GST

PREMIUM STAINLESS STEEL SINKS

Solid Undershelves for 600mm Deep Series

Model	Width (mm)	RRP ex GST
WTSU606	490	\$132
WTSU609	790	\$167
WTSU612	1090	\$201
WTSU615	1390	\$236
WTSU618	1690	\$259
WTSU621	1990	\$293
WTSU624	2290	\$339

Solid Undershelves for 700mm Deep Series

Model	Width (mm)	RRP ex GST
WTSU706	490	\$190
WTSU709	790	\$213
WTSU712	1090	\$224
WTSU715	1390	\$282
WTSU718	1690	\$305
WTSU721	1990	\$339
WTSU724	2290	\$374



Pot Rack undershelves 600mm Deep

Model	Width (mm)	RRP ex GST
SSU606	490	\$155
SSU609	790	\$178
SSU612	1090	\$213
SSU615	1390	\$247
SSU618	1690	\$259
SSU621	1990	\$305
SSU624	2290	\$351

Pot Rack undershelves 700mm Deep

Model	Width (mm)	RRP ex GST
SSU706	490	\$201
SSU709	790	\$224
SSU712	1090	\$247
SSU715	1390	\$293
SSU718	1690	\$328
SSU721	1990	\$351
SSU724	2290	\$385



Leg Bracing (For Sink) 600mm Deep

Model	Width (mm)	RRP ex GST
SSLB606	490	\$109
SSLB609	790	\$121
SSLB612	1090	\$121
SSLB615	1390	\$121
SSLB618	1690	\$132
SSLB621	1990	\$132
SSLB624	2290	\$155

Leg Bracing (For Sink) 700mm Deep

Model	Width (mm)	RRP ex GST
SSLB706	490	\$109
SSLB709	790	\$121
SSLB712	1090	\$121
SSLB715	1390	\$121
SSLB718	1690	\$132
SSLB721	1990	\$132
SSLB724	2290	\$155



Legs with Castor

Model	RRP ex GST
SSLC4	\$224

- Set of 4 legs with casters
- 2 with brakes
 - 2 without brakes



Legs with disk feet

Model	RRP ex GST
FL01	\$236

- Set of 4 legs with disk feet



* All prices are EX-GST