

## PREMIUM STAINLESS STEEL BENCHES

# INDUSTRY KITCHENS

www.industrykitchens.com.au 1800 611 058

### Flat Top Work Bench

#### FEATURES

- Flat top work bench available in 600 or 700 deep
- 1.2mm thick stainless steel top
- 41mm diameter round stainless steel tube legs, 1.2mm thick
- Adjustable stainless steel feet fitted as standard
- 1.2mm thick stainless steel under-shelf with top hat stiffening
- 2100 & 2400mm length units supplied with 6 legs
- Supplied flat packed ready for assembly



Model	Dimensions (mm)	Net weight (kg)	Packaging Dimensions (mm)	Gross weight (kg)	RRP ex GST
WTS606	W600 x D600 x H900	14.7	W920 x D620 x H80	16	<b>\$443</b>
WTS609	W900 x D600 x H900	16.4	W920 x D620 x H80	17.8	<b>\$512</b>
WTS612	W1200 x D600 x H900	22.3	W1220 x D620 x H80	24.2	<b>\$627</b>
WTS615	W1500 x D600 x H900	26.7	W1520 x D620 x H80	29	<b>\$719</b>
WTS618	W1800 x D600 x H900	32.5	W1820 x D620 x H80	35.3	<b>\$822</b>
WTS621	W2100 x D600 x H900	38.2	W2120 x D620 x H80	41.5	<b>\$995</b>
WTS624	W2400 x D600 x H900	43	W2420 x D620 x H80	46	<b>\$1110</b>

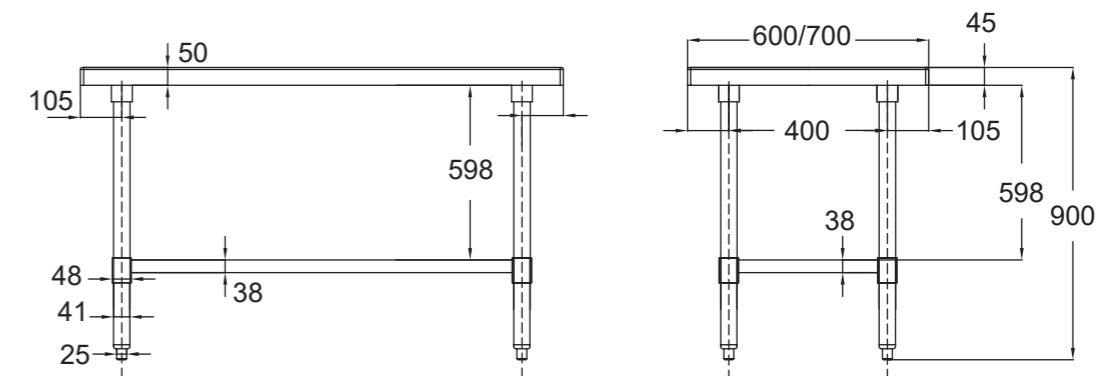
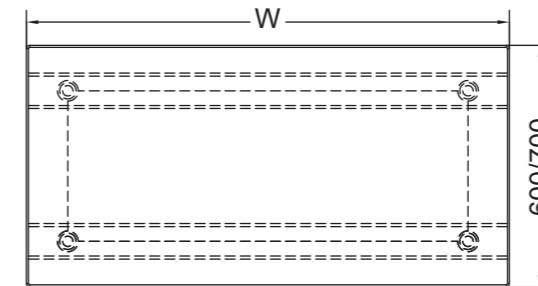


WTS706	W600 x D700 x H900	15.2	W920 x D720 x H80	16.5	<b>\$466</b>
WTS709	W900 x D700 x H900	17.9	W920 x D720 x H80	19.5	<b>\$546</b>
WTS712	W1200 x D700 x H900	25.6	W1220 x D720 x H80	27.8	<b>\$638</b>
WTS715	W1500 x D700 x H900	29.9	W1520 x D720 x H80	32.5	<b>\$753</b>
WTS718	W1800 x D700 x H900	36.5	W1820 x D720 x H80	39.7	<b>\$857</b>
WTS721	W2100 x D700 x H900	44.8	W2120 x D720 x H80	48.7	<b>\$1041</b>
WTS724	W2400 x D700 x H900	49.7	W2420 x D720 x H80	54	<b>\$1156</b>

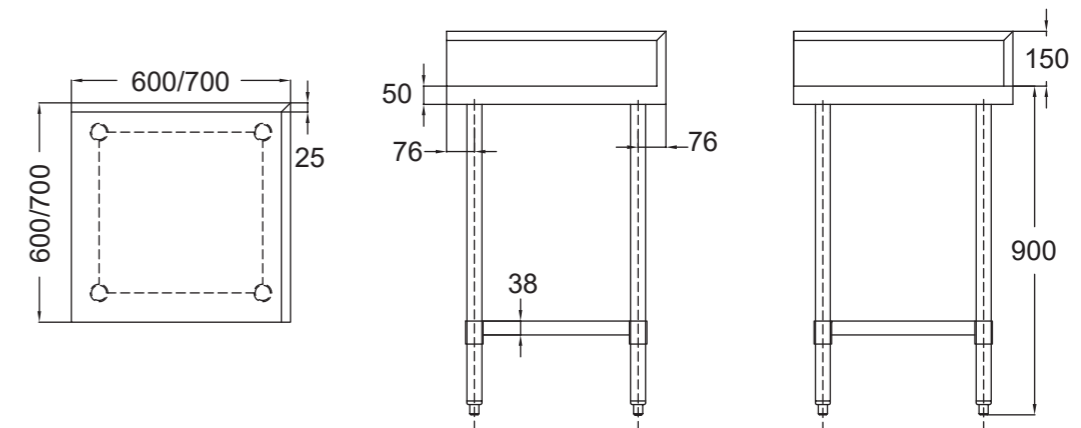


Model	Dimensions (mm)	Net weight (kg)	Splashback	Packaging Dimensions (mm)	Gross weight (kg)	RRP ex GST
WTCS6B	W600 x D600 x H900	20	150mm	W650 x D700 x H170	23	<b>\$638</b>
WTCS7B	W700 x D700 x H900	23	150mm	W750 x D800 x H170	26	<b>\$696</b>

### WTS



### WTCS



\* All prices are EX-GST

\* All prices are EX-GST