

## PREMIUM STAINLESS STEEL SINKS

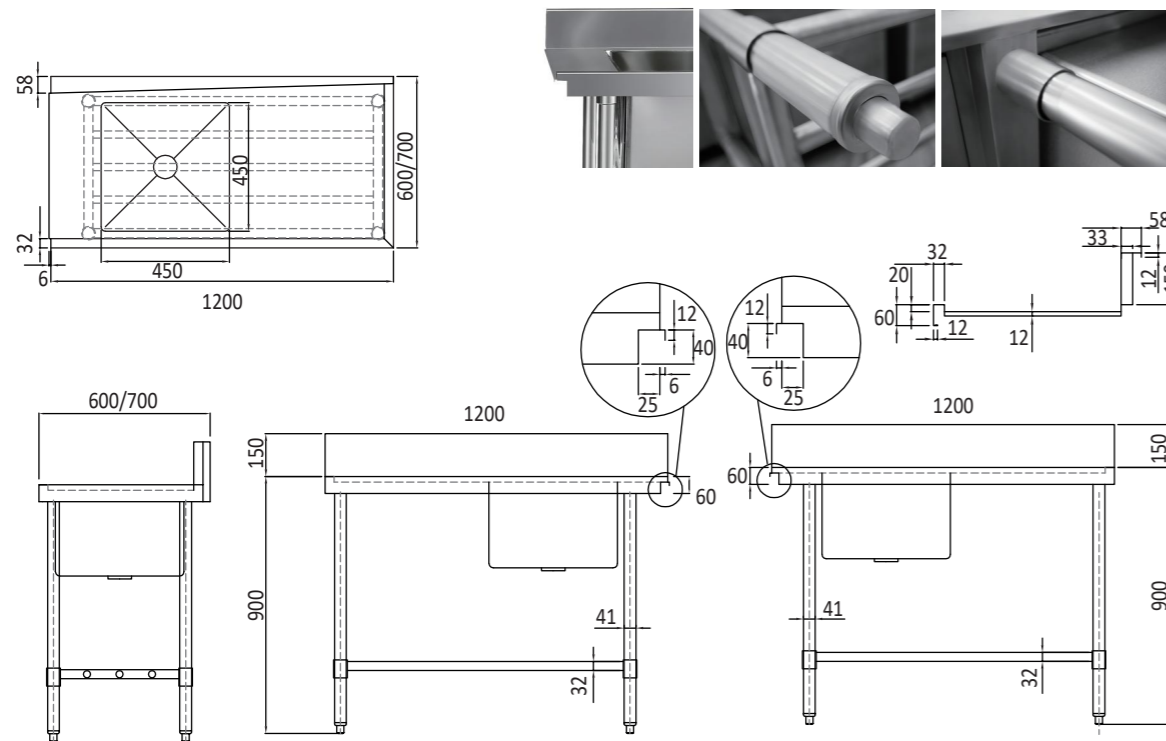
# INDUSTRY KITCHENS

www.industrykitchens.com.au 1800 611 058

## Stainless Steel Dishwasher Single Inlet Sink

### FEATURES

- Suits most leading brand of popular commercial dishwashers
- Bench available in 600 and 700mm depth
- 304 grade, 1.2mm thick stainless steel top
- Wet bench with fabricated sink bowl
- 1.2mm thick stainless steel top
- 41mm diameter round stainless steel tube legs, 1.2mm thick
- Adjustable stainless steel feet fitted as standard
- Splash back high 150mm



Model	Dimensions (mm)	Net weight (kg)	Splashback	Packaging Dimensions (mm)	Gross weight (kg)	ex GST
WSS16120L/R	W1200 x D600 x H900	27.8	150mm	W1730 x D680 x H490	30.2	<b>\$926</b>
WSS17120L/R	W1200 x D700 x H900	28.7	150mm	W1730 x D780 x H490	31.2	<b>\$1011</b>

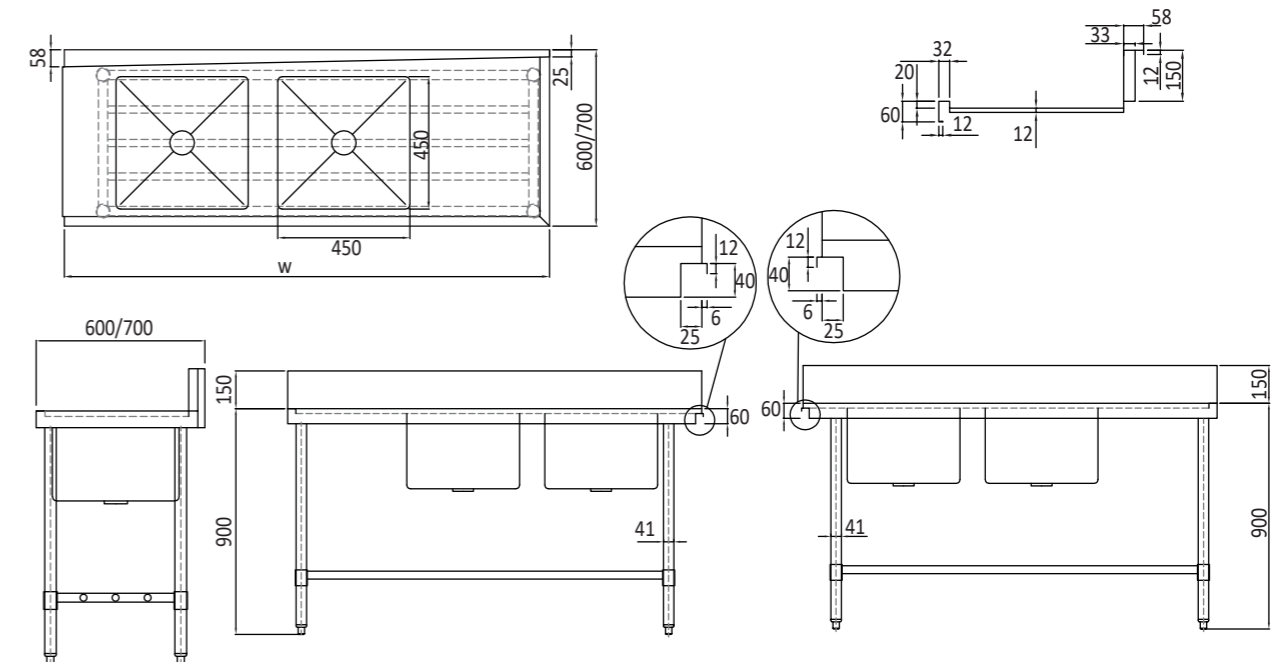
\* All prices are EX-GST

## PREMIUM STAINLESS STEEL SINKS

## Stainless Steel Dishwasher Double Inlet Sink

### FEATURES

- Suits most leading brands of popular commercial dishwashers
- Bench available in 600 and 700mm depth
- 304 grade, 1.2mm thick stainless steel top
- Wet bench with fabricated sink bowl
- 1.2mm thick stainless steel top
- 41mm diameter round stainless steel tube legs, 1.2mm thick
- Adjustable stainless steel feet fitted as standard
- Splash back high 150mm



Model	Dimensions (mm)	Net weight (kg)	Splashback	Packaging Dimensions (mm)	Gross weight (kg)	ex GST
WSS26165L/R	W1650 x D600 x H900	31.5	150mm	W1730 x D680 x H490	34.2	<b>\$1386</b>
WSS27165L/R	W1650 x D700 x H900	32.3	150mm	W1730 x D780 x H490	35.1	<b>\$1616</b>

\* All prices are EX-GST