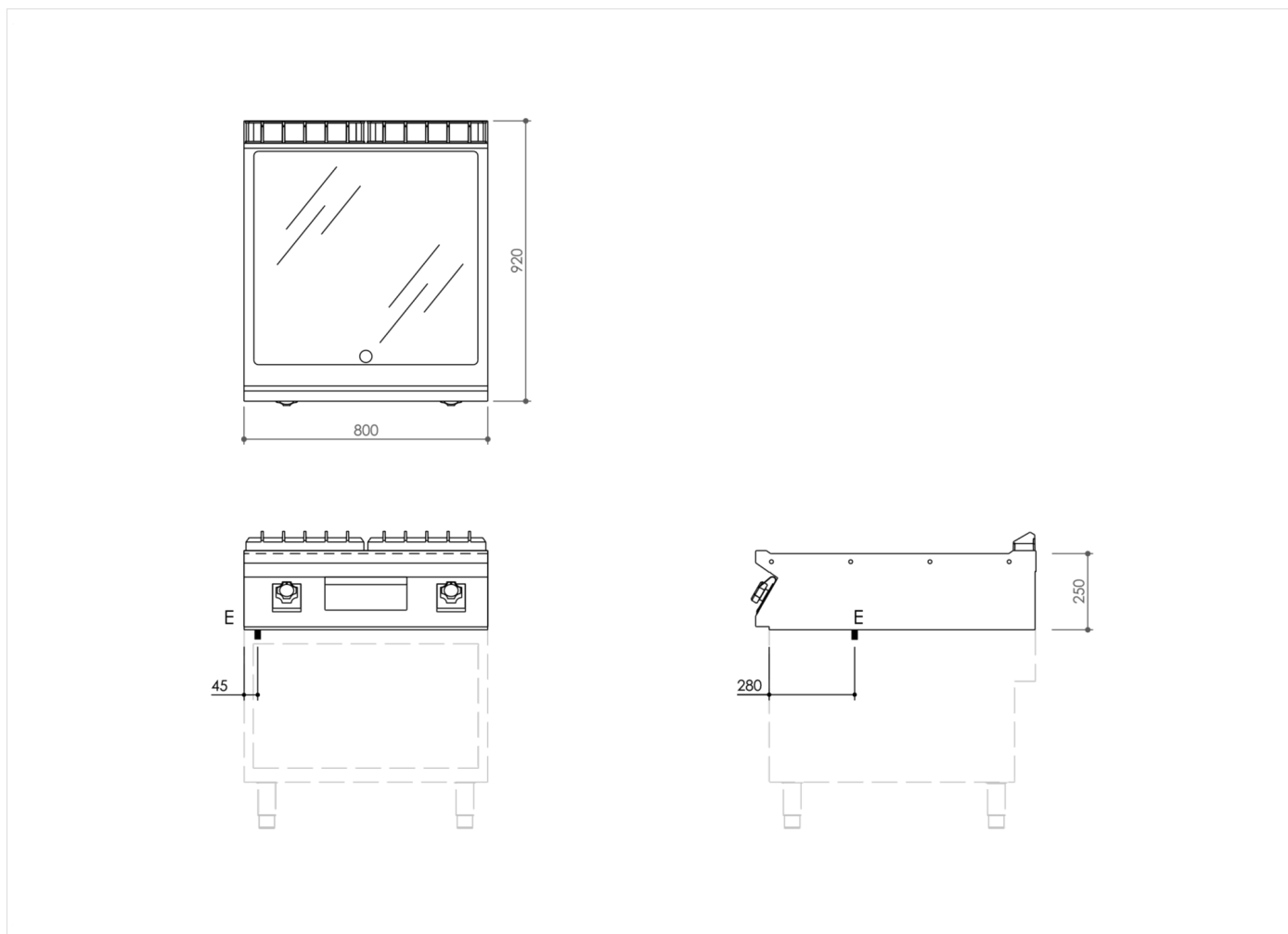


| RANGE | CODE | MODEL | FUNCTION |
|---------|-------------|----------|----------|
| MI - 90 | MAMCOOO4360 | FT98ELCT | Griddles |

ITEM

Electric griddle top with smooth chromed plate



INSTALLATION SPECIFICATIONS

(E) Electrical Connection: **VAC400-3N 50/60Hz**

