



310 SERIES

Undercounter Ice Machines

URP0310A | UDP0310A | UYP0310A



ICE SHAPES



▶ **Half-Dice:**
0.95 x 2.86 x 2.22 cm
(3/8" x 1 1/8" x 7/8")



▶ **Dice:**
2.22 x 2.22 x 2.22 cm
(7/8" x 7/8" x 7/8")



▶ **Regular:**
2.86 x 2.86 x 2.22 cm
(1 1/8" x 1 1/8" x 7/8")

SIZE

- ▶ Up to 135 kgs (297 lbs) of daily ice production
- ▶ 76.20 cm (30") wide, 72.4 cm (28.50") deep, and 97.8 cm (38.50") high on 15.24 cm (6") legs
- ▶ 3.99 ft³ (0.113 m³) cabinet volume
- ▶ 54 kg (119 lbs) ice storage capacity*

*Application capacity based on 90% volume x 33 lbs./ft³ average density of ice



SPECIFICATIONS

Refrigerant R290

- ▶ 148 g

BTU Per Hour

- ▶ 5,500 (average)
- ▶ 6,500 (peak)

Compressor: Nominal rating 0.75 HP

Operating Limits:

- ▶ Ambient temperature range: 10° to 37.7°C (50° to 100°F)
- ▶ Water temperature range: 4.4° to 32.2°C (45° to 90°F)
- ▶ Water pressure ice maker
 - ◆ Water in
 - Min. 137.9 kPA (20 psi)
 - Max. 551.1 kPA (80 psi)

Power

230/50/1 Ice machines are factory pre-wired with a 180 cm (6') power cord only, no plug is supplied.

Instant Power

- ▶ 1,035 W

Total Amps

- ▶ 230/50/1 Air Cooled: 4.5 amp

Maximum Fuse Size

- ▶ Air and water-cooled: 15 amps
- ▶ HACR-type circuit breakers can be used in place of fuses



FULL DICE GEMS:GRN-AIM0031
HALF DICE GEMS:GRN-AIM0059



- Power
- Delay
- Clean
- Filter
- Full Bin
- Service

Touchpad

Easy to read and use touchpad - on/off, delay, clean, filter change, full bin, service indicator



Onboard Water Filtration

Integrated water filtration improves machine efficiency and performance while ensuring cleaner, clearer, and great-tasting ice



Air Flow

Front ventilation is ideal for installation under countertops or next to other equipment



Removable Bin

Removable, forward-sliding storage bin allows for easy access to refrigeration components for cleaning and maintenance

NEO[®] 310 SERIES

Undercounter Ice Machines

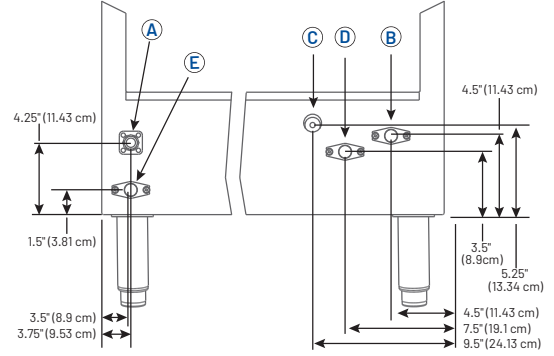
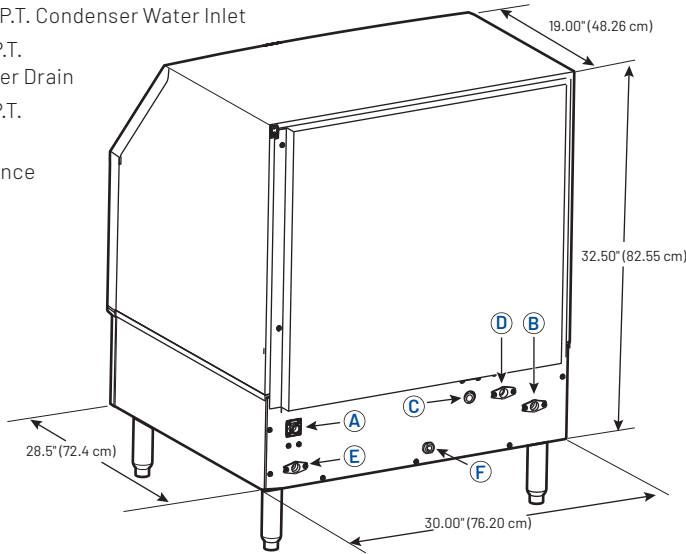
URP0310A | UDP0310A | UYP0310A



INSTALLATION

Recommended clearance for top, sides and back is 12.7 cm (5") however, there is no minimum clearance required.

- A** 0.95 cm (3/8") F.P.T. Ice Making Water Inlet
- B** 1.27 cm (1/2") F.P.T. Ice Making Water Drain
- C** 0.95 cm (3/8") F.P.T. Condenser Water Inlet
- D** 1.27 cm (1/2") F.P.T. Condenser Water Drain
- E** 1.27 cm (1/2") F.P.T. Bin Water Drain
- F** Electrical Entrance



Limited Commercial Warranty

Ice Maker Three (3) years parts and labor

Evaporator Five (5) years parts and labor

Compressor Five (5) years parts, three (3) years labor

SPECIFICATIONS

Model	Ice Shape	Shipping Weight	Ice Production 24 Hours				Power Usage kWh per 100 lbs. of ice	Potable water usage L/45.4kgs ice @ 90° Air/70°F Water (32° Air/21°C Water)
			70° Air/50°F Water 21° Air/10°C Water		90° Air/70°F Water 32° Air/21°C Water			
URP0310A	Regular	81 kgs	253 lbs	115 kgs	215 lbs	98 kgs	6.89	55.7 ltr
UDP0310A	Dice	81 kgs	290 lbs	132 kgs	217 lbs	99 kgs	6.50	53.8 ltr
UYP0310A	Half-Dice	81 kgs	297 lbs	135 kgs	225 lbs	103 kgs	6.32	53.9 ltr

Standard 6" (15.24 cm) adjustable leg. Standard plastic NEO ice scoop included.



2110 South 26th Street | Manitowoc, WI 54220 | United States
+1.920.682.0161 | 920.683.7589 Fax | manitowocice.com

All indicated Pentair trademarks and logos are property of Pentair. Third party registered and unregistered trademarks and logos are the property of their respective owners. ©2025 Pentair. All rights reserved.