



240 SERIES

Undercounter Ice Machines

UDP0240A | UYP0240A

ICE SHAPES



▶ **Half-Dice:**
0.95 x 2.86 x 2.22 cm
(3/8" x 1 1/8" x 7/8")



▶ **Dice:**
2.22 x 2.22 x 2.22 cm
(7/8" x 7/8" x 7/8")

SIZE

- ▶ Up to 104 kgs (229 lbs) of daily ice production
- ▶ 66.04cm (26") wide, 72.4 cm (28.50") deep, and 97.8 cm (38.50") high on 15.24 cm (6") legs
- ▶ 0.086 m³ (3.037 ft³) cabinet volume
- ▶ 40 kg (88 lbs) ice storage capacity*

*Application capacity based on 90% volume x 33 lbs./ft³ average density of ice



SPECIFICATIONS

Refrigerant R290

- ▶ 140 g

BTU Per Hour

- ▶ 3,700 (average)
- ▶ 4,400 (peak)

Compressor: Nominal rating 0.5 HP

Operating Limits:

- ▶ Ambient temperature range: 10° to 37.7°C (50° to 100°F)
- ▶ Water temperature range: 4.4° to 32.2°C (45° to 90°F)
- ▶ Icemaker inlet water pressure: 137.9 - 551.1 kPa (20 - 80 psi)

Power

230/50/1 Ice machines are factory pre-wired with a 180 cm (6') power cord only, no plug is supplied.

Instant Power

- ▶ 805 W

Total Amps

- ▶ 230/50/1 Air Cooled: 3.5 amps

Maximum Fuse Size

- ▶ Air and water-cooled: 15 amps
- ▶ HACR-type circuit breakers can be used in place of fuses



- Power
- Delay
- Clean
- Filter
- Full Bin
- Service

Touchpad

Easy to read and use touchpad - on/off, delay, clean, filter change, full bin, service indicator



Onboard Water Filtration

Integrated water filtration improves machine efficiency and performance while ensuring cleaner, clearer, and great-tasting ice



Air Flow

Front ventilation is ideal for installation under countertops or next to other equipment



Removable Bin

Removable, forward-sliding storage bin allows for easy access to refrigeration components for cleaning and maintenance



GEMS: GRN-AIM0058

www.ajbaker.com.au

NEO[®] 240 SERIES

Undercounter Ice Machines

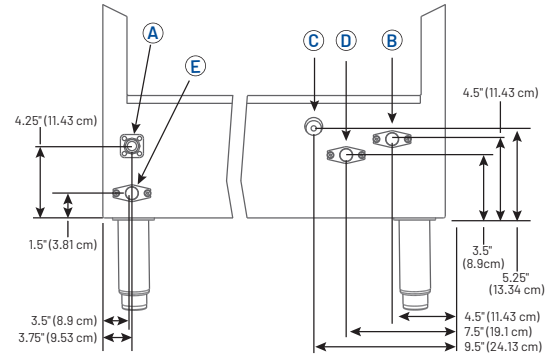
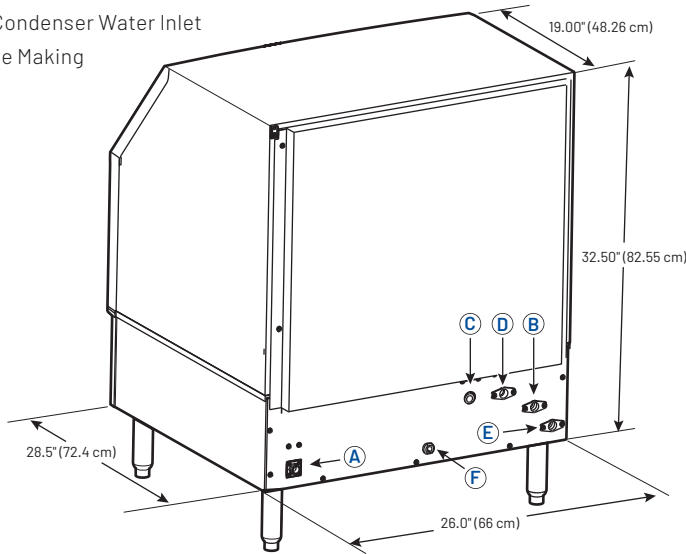
UDP0240A | UYP0240A



INSTALLATION

Recommended clearance for top, sides and back is 12.7 cm (5") however, there is no minimum clearance required.

- A** 0.95 cm (3/8") F.P.T. Ice Making Water Inlet
- B** 1.27 cm (1/2") F.P.T. Ice Making Water Drain
- C** 3/8" (0.95 cm) F.P.T. Condenser Water Inlet
- D** 1.27 cm (1/2") F.P.T. Ice Making Water Inlet
- E** 1.27 (1/2") cm F.P.T. Bin Water Drain
- F** Electrical Entrance



Limited Commercial Warranty

Ice Maker Three (3) years parts and labor

Evaporator Five (5) years parts and labor

Compressor Five (5) years parts, three (3) years labor

SPECIFICATIONS

Model	Ice Shape	Shipping Weight	Ice Production 24 Hours				Power Usage kWh per 45.4kgs of ice 90° Air / 70°F Water (32° Air / 21°C Water)	Potable water usage L/45.4kgs ice @ 90° Air / 70°F Water (32° Air / 21°C Water)
			70° Air/50°F Water 21° Air/10°C Water		90° Air/70°F Water 32° Air/21°C Water			
UYP0240A	Half-Dice	71 kg	221 lbs	101 kg	163 lbs	74 kg	6.4	57.8 L
UDP0240A	Dice	71 kg	207 lbs	94 kg	147 lbs	67 kg	6.3	58.6 L

Standard 6" (15.24 cm) adjustable flange foot to leg. Standard plastic NEO ice scoop included.

GEMS: GRN-AIM0058 www.ajbaker.com.au



2110 South 26th Street | Manitowoc, WI 54220 | United States
+1.920.682.0161 | 920.683.7589 Fax | manitowocice.com

All indicated Pentair trademarks and logos are property of Pentair. Third party registered and unregistered trademarks and logos are the property of their respective owners. ©2025 Pentair. All rights reserved.