



# 140 SERIES

## Undercounter Ice Machines

UDP0140A | UYP0140A

### ICE SHAPES



▶ **Half-Dice:**  
0.95 x 2.86 x 2.22 cm  
(3/8" x 1 1/8" x 7/8")



▶ **Dice:**  
2.22 x 2.22 x 2.22 cm  
(7/8" x 7/8" x 7/8")

### SIZE

- ▶ Up to 63 kg (138 lbs) of daily ice production
- ▶ 66.0 cm (26") wide, 72.4 cm (28.50") deep, and 97.8 cm (38.50") high on 15.24 cm (6") legs
- ▶ 0.086 m<sup>3</sup> (3.037 ft<sup>3</sup>) cabinet volume
- ▶ 40.0 kgs (90 lbs) ice storage capacity\*

\*Application capacity based on 90% volume x 33 lbs./ft<sup>3</sup> average density of ice



### SPECIFICATIONS

#### Refrigerant R290

- ▶ 110 g

#### BTU Per Hour

- ▶ 2,500 (average)
- ▶ 2,900 (peak)

**Compressor:** Nominal rating 0.33 HP

#### Operating Limits:

- ▶ Ambient temperature range: 10° to 37.7°C (50° to 100°F)
- ▶ Water temperature range: 4.4° to 32.2°C (45° to 90°F)
- ▶ Water pressure ice maker
  - ◆ Water in
    - Min. 137.9 kPA (20 psi)
    - Max. 551.1 kPA (80 psi)

#### Power

230/50/1 Ice machines are factory pre-wired with a 6' (180 cm) power cord only, plug is supplied.

#### Instant Power

- ▶ 575 W

#### Total Amps

- ▶ 230/50/1 Air Cooled: 2.5 amps

#### Maximum Fuse Size

- ▶ Air-cooled: 15 amps
- ▶ HACR-type circuit breakers can be used in place of fuses

GEMS: GRN-AIM0056



NEO® 140 SERIES SPECIFICATION SHEET

www.ajbaker.com.au



- Power
- Delay
- Clean
- Filter
- Full Bin
- Service

#### Touchpad

Easy to read and use touchpad - on/off, delay, clean, filter change, full bin, service indicator



#### Onboard Water Filtration

Integrated water filtration improves machine efficiency and performance while ensuring cleaner, clearer, and great-tasting ice



#### Air Flow

Front ventilation is ideal for installation under countertops or next to other equipment



#### Removable Bin

Removable, forward-sliding storage bin allows for easy access to refrigeration components for cleaning and maintenance



# NEO<sup>®</sup> 140 SERIES

## Undercounter Ice Machines

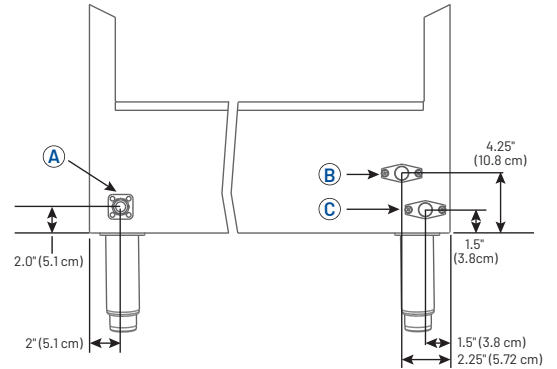
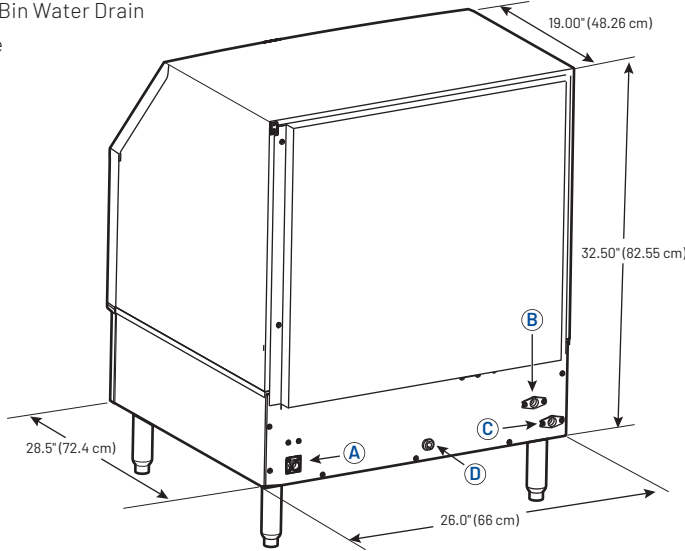
UDP0140A | UYP0140A



### INSTALLATION

Recommended clearance for top, sides and back is 12.7 cm (5") however, there is no minimum clearance required.

- A** 0.95 cm (3/8") F.P.T. Ice Making Water Inlet
- B** 1.27 cm (1/2") F.P.T. Ice Making Water Drain
- C** 1.27 cm (1/2") F.P.T. Bin Water Drain
- D** Electrical Entrance



#### Limited Commercial Warranty

**Ice Maker** Three (3) years parts and labor

**Evaporator** Five (5) years parts and labor

**Compressor** Five (5) years parts, three (3) years labor

### SPECIFICATIONS

Model	Ice Shape	Shipping Weight	Ice Production 24 Hours				Power Usage kWh per 100 lbs. of ice	Potable water usage L/45.4kgs ice @ 90° Air/70°F Water (32° Air/21°C Water)
			70° Air/50°F Water 21° Air/10°C Water		90° Air/70°F Water 32° Air/21°C Water			
UDP0140A	Dice	69 kgs	132 lbs	60 kgs	106 lbs	46 kgs	6.65	58.65 L (15.5 gal)
UYP0140A	Half-Dice	69 kgs	139 lbs	63 kgs	112 lbs	51 kgs	6.5	59.25 L (15.6 gal)

Standard 6" (15.24 cm) adjustable leg. Standard plastic NEO ice scoop included.



2110 South 26th Street | Manitowoc, WI 54220 | United States  
+1.920.682.0161 | 920.683.7589 Fax | manitowocice.com

www.ajbaker.com.au

All indicated Pentair trademarks and logos are property of Pentair. Third party registered and unregistered trademarks and logos are the property of their respective owners. ©2025 Pentair. All rights reserved.