

MP Series 700 Ice Cube Machine - 50 Hz

MDP0700A-251 | MYP0700A-251



Designed for operators who know that ice is critical to their business, the Manitowoc M-Series Ice Machine provides reliable and consistent performance. Manitowoc ice machines are designed, developed and tested by Manitowoc engineers to provide great ice production, energy efficiency and reliable service at an affordable price.

Performance/Features/Benefits

- Produces up to 645 lbs (293 kgs) of ice per day (half dice evaporator at 21°C/10°C)
- Highly efficient electro-less nickel plated copper evaporators assembled in Manitowoc, Wisconsin USA
- Simple operation - only one control, three positions ON/OFF/CLEAN
- 304 Stainless Steel exterior
- Better for the environment by using R290 refrigerant which lowers global warming potential by 99% compared to R410A
- Backed by the industry's best Manitowoc distribution network and service agents
- Built for easy sanitation
- Easy access front facing evaporator
- Remedial cleaning requires minimal interaction; just add chemical and let the machine do the rest. No ice removal from bin needed. (Use Manitowoc De-scaler and Sanitizer only)
- For detail cleaning; all food zone components removable by hand (Fast and easy, no tools required)
- No exposed tubes or wires, smooth rounded corners for fast easy wipe downs
- The food zone is sealed from above and on the back of the door panel with commercial grade rubber gaskets
- AlphaSan® anti-microbial agent molded in selected components
- Available CleanAir™ pack helps to control the growth of bacteria and fungi that form slime and cause odors in the food zone

Series MP0700
Ice machine on D570C bin
Ice machine and bin sold separately.

Ice Machine Electric

230/50/1

Minimum Circuit Ampacity:

Air Cooled: 5.4
Water Cooled: 3.9

Instant Power:

Air Cooled: 1242 W
Water Cooled: 897 W

Maximum Fuse Size:

Air Cooled: 15 amps
Water Cooled: 15 amps

Specifications

BTU per hour:

8,935 (average)
10,915 (peak)

Refrigerant:

R290 CFS Free
Non-ozone depleting
and near zero GWP

Operating Limits:

• **Ambient Temperature Range:**
35° to 110°F (1.7° to 43.3°C)

• **Water Temperature Range:**
35° to 90°F (1.7° to 32.2°C)

• Potable Water Pressure:

Min. 20 psi (137.9 kPa)
Max. 80 psi (551.1 kPa)

• Condenser Water Pressure:

Min. 20 psi (137.9 kPa)
Max. 275 psi (1896 kPa)

Ice Shape



Half Dice:

3/8" x 1/8" x 7/8"
(0.95 x 2.86 x 2.22 cm)



Dice:

7/8" x 7/8" x 7/8"
(2.22 x 2.22 x 2.22 cm)

Cube weight: 5.7 g

Cube weight: 8.5 g



GEMS Full Dice
GRN-AIM0047

GEMS Half Dice
GRN-AIM0052

www.ajbaker.com.au



*This is a limited warranty. For full terms, visit manitowocice.com/service/warranty or call 920-682-0161

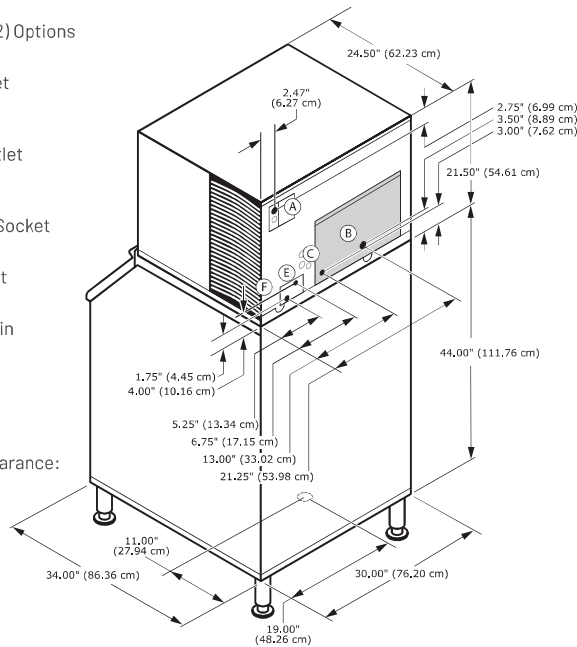
MP0700 Ice Cube Machine - 50 Hz

MDP0700A-251 | MYP0700A-251



MP0700 on D570C Storage Bin

- (A) Electrical Entrance (2) Options
- (B) 3/8" (0.95 cm) F.P.T. Water Condenser Inlet (water-cooled units)
- (C) 1/2" (1.27 cm) F.P.T. Water Condenser Outlet (water-cooled units)
- (D) 1/2" (1.27 cm) Auxiliary Base Drain Socket
- (E) 3/8" (0.95 cm) F.P.T. Ice Making Water Inlet
- (F) 1/2" (1.27 cm) F.P.T. Ice Making Water Drain
- (G) 3/4" (1.91 cm) Bin Drain



Installation Notes
 Minimum installation clearance:
 Top/side: 8" (20.3 cm)
 Back is 5" (12.7 cm)

Installation location must be indoors.

Space-Saving Design



	MP0700 D400C	MP0700 D570C
Height	59.50" 151.13 cm	71.5" 181.61 cm
Width	30.00" 76.20 cm	30.00" 76.20 cm
Depth	34.0" 86.36 cm	34.0" 86.36 cm
Bin Storage	365 lbs 165 kgs	532 lbs 241 kgs

Height includes adjustable bin legs 6.00" to 8.00", (15.24 to 20.32 cm) set at 6.00" (15.24 cm).

Bin capacity is based on 90% of the volume x 33 lbsft³ average density of ice. Ice machine and bin sold separately.

Specifications

	Model	Ice Shape	Refrigerant Charge	Shipping Weight Kgs.	Ice Production 24 Hours		Power Usage kWh per 100 lbs (45.4 kgs) of Ice	Potable Water Usage per 100 lbs (45.4 kgs) of Ice
					70°Air / 50°F Water (21°Air / 10°C Water)	90°Air / 70°F Water (32°Air / 21°C Water)		
Air Cooled	MDP0700A-251	Dice	226 g	69.5	619 lbs (281 kgs)	516 lbs (234 kgs)	4.28	13.15 Gal (49.8 L)
	MYP0700A-251	Half Dice	226 g	70.5	645 lbs (293 kgs)	557 lbs (253 kgs)		
Water Cooled	MDP0700W-251	Dice	330 g	79.5	606 lbs (275 kgs)	536 lbs (243 kgs)	3.45	13.28 Gal (50.27 L)

Water cooled condenser water usage per 100 lbs (45.4 kgs) of ice: 114 gal (431 L) of water.

Order separately: Ice storage bin for all units.

R290 is a refrigerant grade propane which is naturally occurring with no ozone depletion potential and extremely low global warming potential.

Accessories

Clean Air Pack
Chlorine dioxide sachet helps inhibit bacteria growth.



External Scoop Holder
protect the ice scoop with the NSF approved versatile scoop holder.



Arctic Pure® Plus Water Filters
reduce sediments and chlorine contaminants down to 0.5 microns. Use with a pre-filter is recommended.



Manitowoc Ice reserves the right to make changes to the design or specifications without prior notice.



2110 South 26th Street | Manitowoc, WI 54220 | United States
 +1.920.682.0161 | +1.920.683.7589 Fax | manitowocice.com

All indicated Pentair trademarks and logos are property of Pentair. Third party registered and unregistered trademarks and logos are the property of their respective owners.

©2025 Pentair. All Rights Reserved.

7973 JA25