



M Series 420 Ice Cube Machine

Model: MDT0420A-251B MYT0420A-251B



M420 Ice Machine on D420C Bin

- Up to 176 kgs(389 lbs) daily ice production and only 22.00" (55.90 cm) wide
- R-410A CFC-free refrigerant
- Easy access to food zone with removal of two screws and lift-off door
- White plastics in the food zone help identify areas needing cleaning
- Water shield, distribution tube, pump, floats, and trough removable by hand
- Available CleanAir™ pack controls the growth of bacteria and fungi that form slime and cause odors in the food zone



GEMS: Half Dice - GRN-AIM0051
GEMS: Full Dice - GRN-AIM0044



www.ajbaker.com.au

Specifications

BTU Per Hour:
5,400 (average), 6,300 (peak)

Compressor:
Nominal Rating: 3/4HP

Refrigerant:
R-410A

Ice Machine Electric
220-240/50/1 standard

Total Circuit Ampacity:
Air Cooled: 6.2A

Power Consumption:
Air Cooled: 845W

Maximum Fuse Size: 15A

HACR-type circuit breakers can be used in place of fuses

Operating Limits:

- Ambient Temperature Range: 1.7°C to 43.3°C
- Water Temperature Range: 1.7°C to 32.2°C
- Water Pressure Ice Maker Water In:
Min. 20 psi (137.9kPa)
Max. 80 psi (551.1kPa)

Cube Size Available



Half-dice
3/8" x 1 1/8" x 7/8"
(0.95 x 2.86 x 2.22 cm)



Dice
7/8" X 7/8" X 7/8"
2.22 X 2.22 X 2.22 (cm)

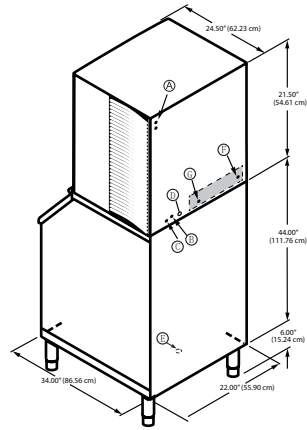


M Series 420 Ice Cube Machine



M Series 420 Ice Cube Machine

M420 on D420C Storage Bin



- Ⓐ Electrical Entrance (2) Options
- Ⓑ 3/8" (0.95 cm) F.P.T. Ice Making Water Inlet
- Ⓒ 1/2" (1.27 cm) F.P.T. Ice Making Water Drain
- Ⓓ 1/2" (1.27 cm) Auxillary Base Drain Socket
- Ⓔ 3/4" (1.91 cm) Bin Drain
- Ⓕ 3/8" (0.95 cm) F.P.T. Water Condenser Inlet (water-cooled units)
- Ⓖ 1/2" (1.27 cm) F.P.T. Water Condenser Outlet (water-cooled units)

*Installation Note - Minimum installation clearance:
 Top/sides: 8" (20.32 cm), back: 5" (12.70 cm).*

Space-Saving Designs



	M420 D420C
Height	71.50" 181.61cm
Width	22.00" 55.90 cm
Depth	34.00" 86.56cm
Bin Storage	383 lbs 174kg

Height includes adjustable bin legs 6.00" to 7.00" (15.24 cm to 17.78 cm) set at 6.00" (15.24 cm).

Model	Ice Shape	Ice Production 24 Hours		Power Usage kWh/100 lbs. @90°Air/70°F	Water Usage 100 lbs. 45.4 kgs. of Ice
		70°Air/ 50°F Water	90°Air/ 70°F Water		
MDT0420A-251B	dice	176 kg	158kg	5.59	67.5
		389 lbs	347lbs		
MYT0420A-251B	half - dice	169 kg	160kg	5.73	67.3
		372lbs	352lbs		

Order ice storage bin separately. Suffix of model "A" means air cooled condenser

CleanAir™ Pack Slime Inhibitor



CleanAir™ Pack Accessory is patented technology that releases chlorine dioxide on a controlled basis to inhibit the growth of bacteria and fungi that form slime and cause odors in the food zone of ice machine.

Easy Access to Parts of Water System



Water shield, distribution tube, pump, floats, and trough removable by hand

Easy Access to Air Filter



Easy to clean, reusable air filter protects condenser from lint, grease and dust.

©2023 01/18 Manitowoc 09/26 Continuing product improvement may necessitate change of specifications without notice.