



H240 Undercounter Ice Machines

Models

- HDF0240A-251Z
 HDF0240A-251ZR
 HYF0240A-251Z
 HYF0240A-251ZR



U-240

- Up to 209 lbs (95 kg) of daily ice production
- Only 26" (66.04 cm) wide, 28.00" (71.12 cm) deep, and 30.16" (76.80cm) high on 2.99" (7.60cm) legs
- 80 lb. (36 kg) ice storage capacity

Standard Features

CHOICE is designed to provide ice right where you need it -- within reach. Improvements in performance, intelligence, and convenience make your ice machine easy to own and less expensive to operate.

Easy Access – angled door provides a larger opening making ice more visible and easier to access

Intelligence – provides feedback with full bin and service indicators. Delay function allows you to pause your machine for slow periods or days when you're closed.

Easy to Clean - smooth, sealed food-zone with removable water trough, distribution tube, and damper door for faster cleaning.

Installation – the total height of machine is under 85cm (80cm optional) with perfection for undercounter installation



Specifications

BTU Per Hour:
2,400 (average)
3,400 (peak)

Compressor:
Nominal rating: 3/7 HP

Refrigerant:
R404A

Operating Limits:

- Ambient Temperature Range: 4.4° to 43.3° C
- Water Temperature Range: 4.4° to 32.2° C
- Water Pressure Ice Maker Water In:
Min. 20 psi (137.9 kPa)
Max. 80 psi (551.1 kPa)

Ice Machine Electric

Power Cord:
220-240/50/1 ice machines are factory pre-wired with a 6' (180 cm) power cord only, no plug is supplied.

Total Amps:
Air-cooled: 3.5 amps

Maximum fuse size:
Air-cooled and Water-cooled: 15 amps
HACR-type circuit breakers can be used in place of fuses.

Ice Shape



Dice

7/8" x 7/8" x 7/8"
(2.22 x 2.22 x 2.22 cm)



Half Dice

3/8" x 1 1/8" x 7/8"
(.95 x 2.86 x 2.22 cm)

www.ajbaker.com.au

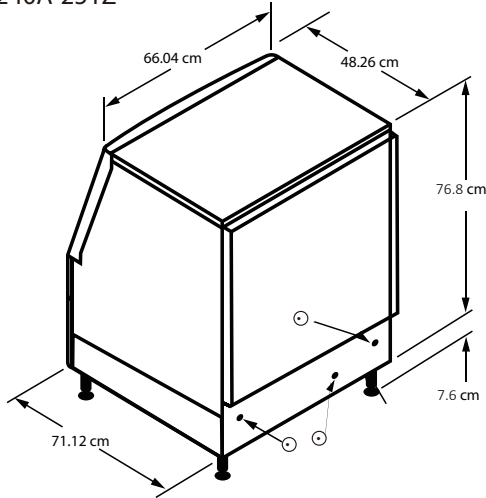
GEMS: GRN-AIM0048





H240 Undercounter Ice Machines

HF240A-251Z



- Ⓐ Electrical Entrance
- Ⓑ 3/8" (0.95 cm) F.P.T. Ice Making Water Inlet
- Ⓒ 1/2" (1.27 cm) F.P.T. Ice Making Water Drain

Installation Note Recommended clearance for top, sides, and back is 5" (12.7 cm) however, there is no minimum clearance required.

Space Saving Design



HF0240A-251Z



HF0240A-251ZR

Height	33.15" 84.40cm	31.38" 79.90 cm
Width	26.00" 66.04 cm	26.00" 66.04 cm
Depth	28.00" 71.12 cm	28.00" 71.12 cm
Ice Storage	79 lbs 36kg	79 lbs 36kg

The height of adjustable leg is 7.6cm, and optional roller with 3.1cm height is also available.

The only difference between HDF0240A-251Z and HDF0240A-251ZR is the height of machine.

Specifications

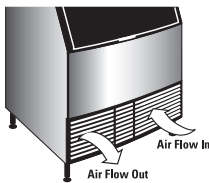
Model	Ice Shape	Ice Production 24 Hours				Power kWh/ 100 lbs. @ 90°/70°F 32°/21°C	Potable water usage L/100 lbs. ice @90/70 °F
		70°Air/50°F Water 21°Air/10°C Water		90°Air/70°F Water 32°Air/21°C Water			
HDF0240A-251Z	Dice	187 lbs	85 kg	154 lbs	70 kg	7.55	51.2
HYF0240A-251Z	Half Dice	203 lbs	92 kg	179 lbs	81 kg	7.44	54.7

www.ajbaker.com.au

The suffix of model stands for air cooled.

GEMS: GRN-AIM0048

Air Flow



Air in right, air out left, no side vents. Great for installation under countertops and next to other equipment.

Scoop



Scoop holder can be installed on both left and right sides of bin

Air Filter



Simple, tool-free removal for quick access during routine cleaning and maintenance.