

## Viking 200E Combi Jacketed Kettle

Model – Viking Combi 200E (4215353)

### STANDARD FEATURES

- Viking kettle with mixer
- Electric heated version
- 316 Stainless steel mixing bowl
- Electromechanical controls
- Safety grid lid
- Stepless temperature control
- Multi-function mixing tool
- 2 mixing programs
- Electric tilting
- Measuring stick
- Water faucet (cold water)
- Hand shower
- Strainer plate

Please refer to Moffat price list for options and accessories

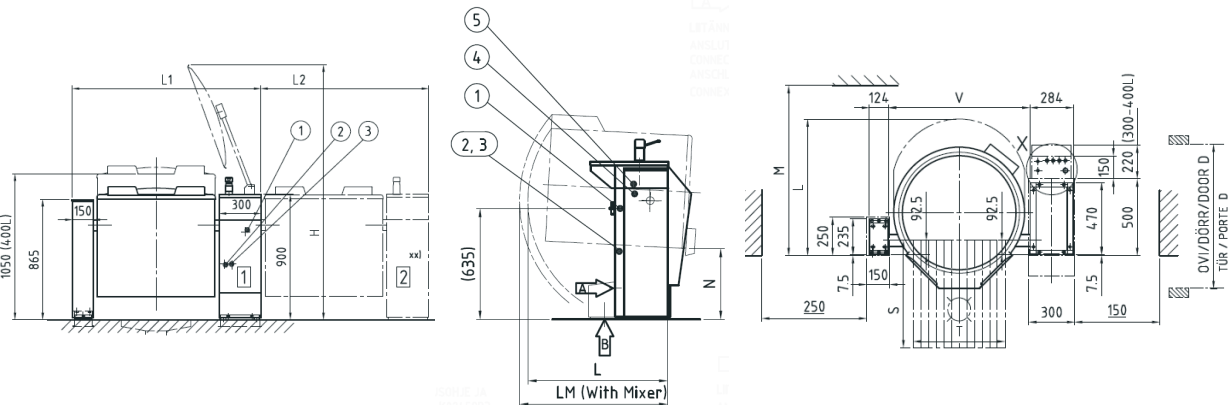


### TECHNICAL DATA

Net Volume	200L	Electrical	Power 31.5 kW
Spare Volume	19 L		Voltage 400-415V,
Gross Volume	219 L		3P+N+E 50/60Hz
Dimensions			AMP 63A
Width	1360mm	Total Heat	30kW
Height	1039mm	Load	Latent 1.4kW,
Depth	965mm		Sensible 6.1 kW
Connections		Waste	By kitchen
Water	Cold ø15mm		contractor
	Hot ø10mm	Nett Weight	270 kg

NOTE - Mandatory installation kit required for all installations, options are:

- Single kettle surface – 4215839
- Single kettle subsurface – 4215840
- Group kettle surface – 4215843
- Group kettle subsurface - 4215844



**Australia**  
moffat.com.au

**Moffat Pty Limited**  
740 Springvale Road  
Mulgrave  
Victoria 3170  
Australia  
Telephone +613-9518 3888  
Facsimile +613-9518 3833  
vsales@moffat.com.au

**New Zealand**  
moffat.co.nz

**Moffat Limited**  
45 Illinois Drive  
Izone Business Hub  
Rolleston 7675  
New Zealand  
Telephone +64 3-983 6600  
Facsimile +64 3-983 6660  
sales@moffat.co.nz

- (1) Electrical connection
- (2) Cold water connection
- (3) Hot water connection
- (4) Data cable (HACCP option)
- (5) Control cables to building for heating control of kettle

Model	L1 mm	L2 mm	M mm	L mm	LM mm	H mm	S mm	T mm	D mm	N mm	V mm
200E	1360	1210	1130	895	980	1980	800	600	945	420	926

Disclaimer: All unit capacities are based on subjective testing. Moffat accepts no liability for production values. In line with policy to continually develop and improve its products, Moffat Limited reserves the right to change specifications and design without notice.