

Viking 150E Combi Jacketed Kettle

Model – Viking Combi 150E (4215352)

STANDARD FEATURES

- Viking kettle with mixer
- Electric heated version
- 316 Stainless steel mixing bowl
- Electromechanical controls
- Safety grid lid
- Stepless temperature control
- Multi-function mixing tool
- 2 mixing programs
- Electric tilting
- Measuring stick
- Water faucet (cold water)
- Hand shower
- Strainer plate

Please refer to Moffat price list for options and accessories

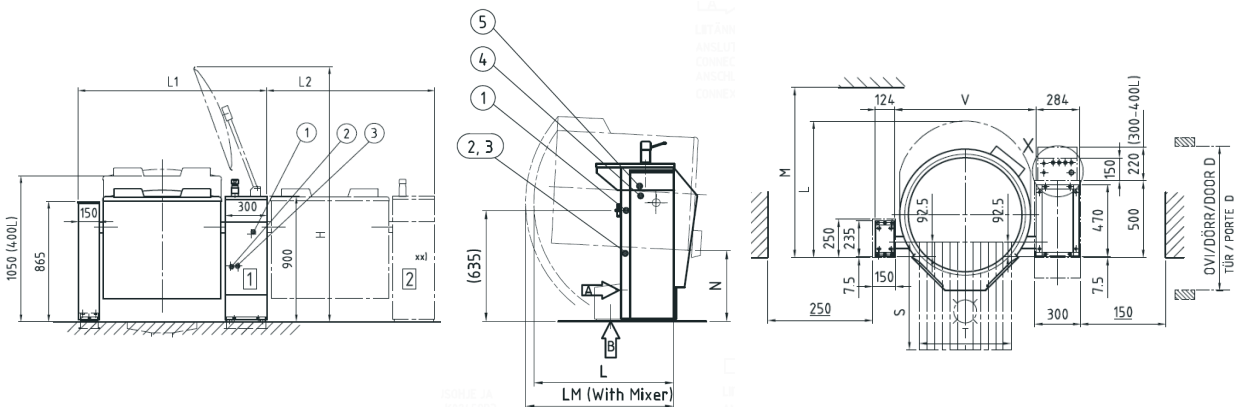


TECHNICAL DATA

Net Volume	150L	Electrical	Power 21.5 kW
Spare Volume	19 L		Voltage 400-415V,
Gross Volume	169 L		3P+N+E 50/60Hz
Dimensions			AMP 50A
Width	1360mm	Total Heat	20kW
Height	1039mm	Load	Latent 1.0kW,
Depth	965mm		Sensible 4.3 kW
Connections		Waste	By kitchen
Water	Cold ø15mm		contractor
	Hot ø15mm	Nett Weight	250 kg

NOTE - Mandatory installation kit required for all installations, options are:

- Single kettle surface – 4215839
- Single kettle subsurface – 4215840
- Group kettle surface – 4215843
- Group kettle subsurface - 4215844



Australia
moffat.com.au

Moffat Pty Limited
740 Springvale Road
Mulgrave
Victoria 3170
Australia
Telephone +613-9518 3888
Facsimile +613-9518 3833
vsales@moffat.com.au

New Zealand
moffat.co.nz

Moffat Limited
45 Illinois Drive
Izone Business Hub
Rolleston 7675
New Zealand
Telephone +64 3-983 6600
Facsimile +64 3-983 6660
sales@moffat.co.nz

- (1) Electrical connection
- (2) Cold water connection
- (3) Hot water connection
- (4) Data cable (HACCP option)
- (5) Control cables to building for heating control of kettle

Model	L1 mm	L2 mm	M mm	L mm	LM mm	H mm	S mm	T mm	D mm	N mm	V mm
150E	1360	1210	1010	895	910	1980	800	600	945	420	926

Disclaimer: All unit capacities are based on subjective testing. Moffat accepts no liability for production values. In line with policy to continually develop and improve its products, Moffat Limited reserves the right to change specifications and design without notice.