

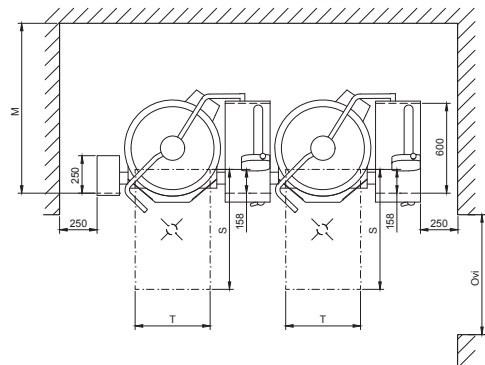
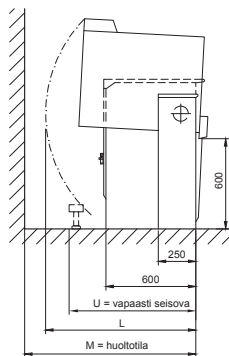
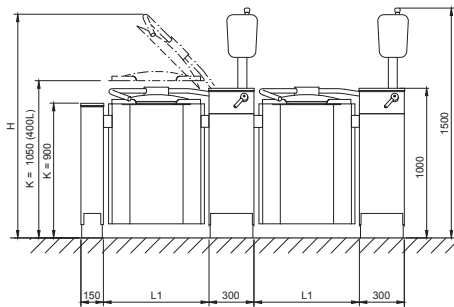
Viking 4G Steam Static Jacketed Kettle

Viking 4G 300S (4224132)

Standard Features

- 300 litre capacity
- Steam heated version
- Elevated control pillar with selected features
- Electromechanical controls
- Stepless temperature control
- Hydraulic tilting – tilting height 600mm
- Auto tilt-back
- Measuring stick
- Retractable handshower
- Strainer plate
- Stainless steel construction
- Unit shown includes free standing floor kit - other options available

Please refer to Moffat price list for options and accessories



Technical Data

Net Volume 300 L
Spare Volume 33 L
Gross Volume 333 L

Dimensions

Width 1560mm
Height 1500mm
Depth 1073mm

Connections

Water Cold ø15mm
Hot ø15mm
Steam R 1½" 90 kg/hr
Cond. Outlet R ¾"

Electrical Power 0.9 kW
Voltage 400-415V,
3P+N+E 50/60Hz
AMP 10A
Total Heat 40 kW
Load Latent 1.9 kW,
Sensible 9.6 kW
Waste By kitchen
contractor
Nett Weight 350 kg

Model	L1 mm	H mm	L mm	M mm	U mm	T mm	Door mm
300S	1110	2110	1280	1320	1010	600	1010

Australia
moffat.com.au
Moffat Pty Limited
740 Springvale Road
Mulgrave
Victoria 3170
Australia
Telephone +613-9518 3888
Facsimile +613-9518 3833
vsales@moffat.com.au

New Zealand
moffat.co.nz
Moffat Limited
45 Illinois Drive
Izone Business Hub
Rolleston 7675
New Zealand
Telephone +64 3-983 6600
Facsimile +64 3-983 6600
sales@moffat.co.nz



Disclaimer: All unit capacities are based on subjective testing. Moffat accepts no liability for production values. In line with policy to continually develop and improve its products, Moffat Limited reserves the right to change specifications and design without notice.

© Copyright Moffat Ltd
AN-MET-S-2001