

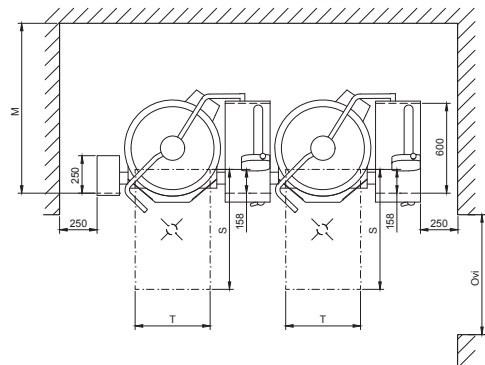
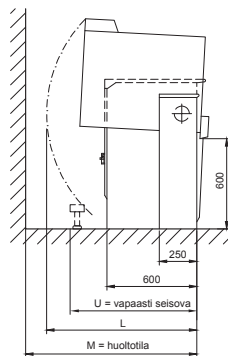
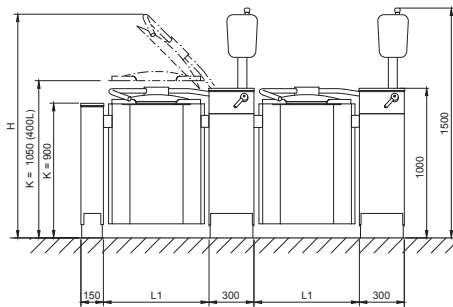
Viking 4G Steam Static Jacketed Kettle

Viking 4G 100S (4224126)

Standard Features

- 100 litre capacity
- Steam heated version
- Elevated control pillar with selected features
- Electromechanical controls
- Stepless temperature control
- Electric tilting – tilting height 600mm
- Auto tilt-back
- Measuring stick
- Retractable handshower
- Strainer plate
- Stainless steel construction
- Unit shown includes free standing floor kit - other options available

Please refer to Moffat price list for options and accessories



Technical Data

Net Volume 100 L
Spare Volume 11 L
Gross Volume 111 L

Dimensions

Width 1154mm
Height 1500mm
Depth 725mm

Connections

Water Cold ø15mm
Hot ø15mm
Steam R 1" 30 kg/hr
Cond. Outlet R ¾"

Electrical Power 0.8 kW
Voltage 230V,
1P+N+E 50/60Hz
AMP 10A

Total Heat Load 16 kW
Latent 0.8 kW,
Sensible 3.4 kW

Waste By kitchen contractor
Nett Weight 210 kg

Model	L1 mm	H mm	L mm	M mm	U mm	T mm	Door mm
100S	704	1745	1010	1235	890	500	800

Australia
moffat.com.au
Moffat Pty Limited
740 Springvale Road
Mulgrave
Victoria 3170
Australia
Telephone +613-9518 3888
Facsimile +613-9518 3833
vsales@moffat.com.au

New Zealand
moffat.co.nz
Moffat Limited
45 Illinois Drive
Izone Business Hub
Rolleston 7675
New Zealand
Telephone +64 3-983 6600
Facsimile +64 3-983 6600
sales@moffat.co.nz



Disclaimer: All unit capacities are based on subjective testing. Moffat accepts no liability for production values. In line with policy to continually develop and improve its products, Moffat Limited reserves the right to change specifications and design without notice.

© Copyright Moffat Ltd
AN-MET-S-2001