

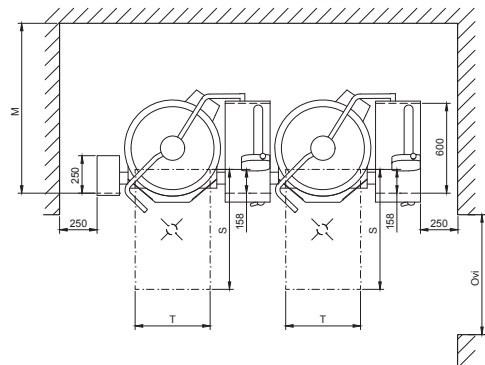
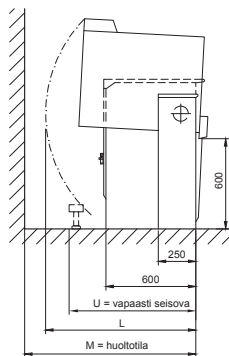
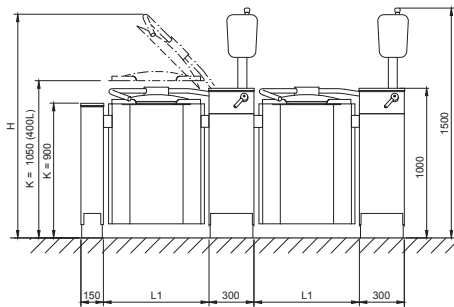
Viking 4G Electric Combi Jacketed Kettle

Viking 4G COMBI 400E (4224214)

Standard Features

- Kettle with integrated mixer
- 400 litre capacity
- Electric heated version
- Elevated control pillar with selected features
- Mixing speed control 20-110 rpm/min, autoreverse
- Two mixing programs
- Electric tilting – tilting height 600mm
- Auto tilt-back
- Safety grid lid
- Measuring stick
- Retractable handshower
- Strainer plate
- Stainless steel construction
- Unit shown includes free standing floor kit - other options available

Please refer to Moffat price list for options and accessories



Technical Data

Net Volume 400 L
Spare Volume 33 L
Gross Volume 433 L

Dimensions

Width 1560mm
Height 1500mm
Depth 1073mm

Connections

Water Cold ø15mm
Hot ø15mm

Electrical Power 62 kW
Voltage 400-415V,
3P+N+E 50/60Hz
AMP 100A

Total Heat 62 kW
Load Latent 2.1 kW,
Sensible 11.5 kW

Waste By kitchen
contractor

Nett Weight 470 kg

Model	L1 mm	H mm	L mm	M mm	U mm	T mm	Door mm
400E	1110	2110	1280	1320	1010	600	1010

Australia
moffat.com.au
Moffat Pty Limited
740 Springvale Road
Mulgrave
Victoria 3170
Australia
Telephone +613-9518 3888
Facsimile +613-9518 3833
vsales@moffat.com.au

New Zealand
moffat.co.nz
Moffat Limited
45 Illinois Drive
Izone Business Hub
Rolleston 7675
New Zealand
Telephone +64 3-983 6600
Facsimile +64 3-983 6660
sales@moffat.co.nz



Disclaimer: All unit capacities are based on subjective testing. Moffat accepts no liability for production values. In line with policy to continually develop and improve its products, Moffat Limited reserves the right to change specifications and design without notice.

© Copyright Moffat Ltd
AN-MET-S-2001