

Technical data sheet for

## GAS COOKTOPS 600mm

RN8400G-B, RN8400G-CB, RN8400G-LS, RN8403G-B, RN8403G-CB, RN8403G-LS, RN8406G-B, RN8406G-CB, RN8406G-LS



RN8400G-LS

- Heavy-duty construction
- 28 MJ/hr open burners
- Flame failure standard
- Pilot burners optional
- 300mm griddle plate options
- Optional simmer plates
- 3 models of base unit
- Stainless steel exterior
- Easy clean
- Easy service
- Fully modular
- Low back models (RNL) available

### Overall Construction

#### COOKTOP

- Welded hob with 1.5mm 304 stainless steel bull nose
- Splashback and side panels 1.2mm 304 stainless steel
- Front panels 0.9mm 304 stainless steel
- Aluminised steel internal construction
- Cast iron 28MJ/hr open burners with forged brass cap
- Vitreous enamelled cast iron potstands
- Vitreous enamelled open burner spill covers
- Cast iron simmer plates (optional extra)
- 12mm thick mild steel griddle plate
- 2.5mm 304 stainless steel griddle splash guards
- Vitreous enamelled spill trays

Griddle sections are standard on RH side. Available on LH side to order or by conversion.

#### BENCH MOUNT (SUPPLIED AS -B MODEL)

- Four 63mm dia. heavy-duty 1.2mm 304 stainless steel bench legs with adjustable feet
- Adjustable height 80mm – 105mm

#### CABINET BASE (SUPPLIED AS -CB MODEL)

- Fully modular for match suite finish
- Double skin 0.9mm 304 stainless steel interior and exterior
- Optional GN 1/14 position racking kit
- 63mm dia. heavy-duty 1.2mm 304 stainless steel legs with adjustable feet

#### LEG STAND (SUPPLIED AS -LS MODEL)

- Fully modular for matched suite finish
- Framed top for connection to Cooktop
- 63mm dia. heavy-duty 1.2mm 304 stainless steel legs with adjustable feet
- Fully modular framed stand shelf with 0.9mm 304 stainless steel finish
- Suitable for rear or through shelf gas connection to Cooktop
- Quick assembly design (no tools required)

#### Controls

- Variable high to low controls to open burners
- Open burners flame failure standard with pilot burners optional
- Variable high to low controls to griddles
- Griddles standard with pilot, flame failure and piezo ignition
- Large easy use control knob - heat resistant reinforced
- Easy view control settings on knob

#### Cleaning and Servicing

- All models with easy clean stainless steel external finish
- Lift off burners heads and vitreous enamelled burner spill covers
- Vitreous enamelled spill trays under open burner and griddle sections
- Access to all parts from front of unit

Technical data sheet for

## GAS COOKTOPS 600mm

### Specifications

#### Burners

Open Burners 28MJ/hr dual flame ring with simmer rate

Griddle Burners 20MJ/hr

#### Gas power

RN8400G 112 MJ/hr, 31kW  
 RN8403G 76 MJ/hr, 21kW  
 RN8406G 40 MJ/hr, 11kW

#### Griddle Plate

300mm Griddle cooking surface  
 292mm x 475mm, 1387cm<sup>2</sup>  
 600mm Griddle cooking surface  
 592mm x 475mm, 2812cm<sup>2</sup>

#### Gas connection

R 3/4 (BSP) male  
 130mm from RH side, 32mm from rear,  
 and 655mm from floor

All units supplied with Natural and LP gas regulator

#### DIMENSIONS

##### Bench models

Width 600mm  
 Depth 805mm  
 Height 315mm  
 Incl. splashback 530mm  
 Incl. low back 370mm

##### All models (excluding Bench model)

Width 600mm  
 Depth 805mm  
 Height 915mm  
 Incl. splashback 1130mm  
 Incl. low back 970mm

#### NETT WEIGHT (ALL MODELS)

80kg

#### PACKING DATA

##### Bench and Leg Stand models

0.37m<sup>3</sup>, 116kg  
 Width 645mm  
 Depth 870mm

##### Cabinet Base models

0.70m<sup>3</sup>, 116kg  
 Width 645mm  
 Depth 870mm  
 Height 1255mm

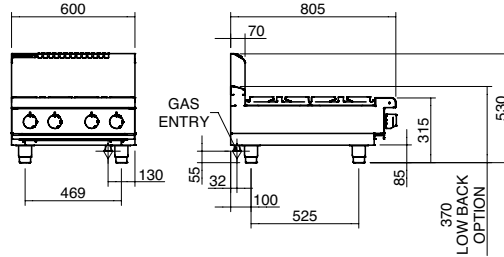
#### GAS TYPES

Available in Natural gas and LP gas  
 Please specify when ordering  
 Units supplied complete with gas type conversion kits  
 Other gas types on request

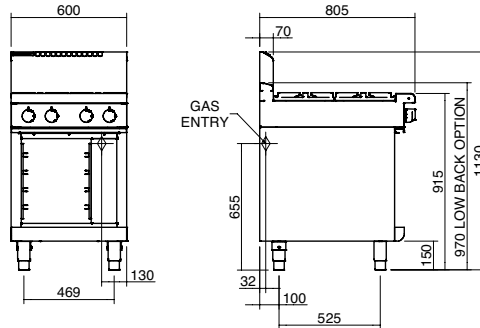
#### OPTIONS AT EXTRA COST

Simmer plates (replaces Potstand)  
 Ribbed griddle plates  
 Joining caps  
 Castors  
 Plinth mounting

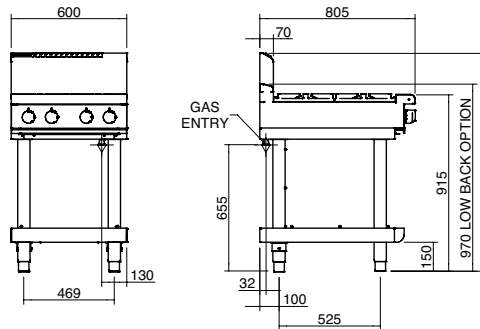
#### RN8400G-B BENCH MODEL



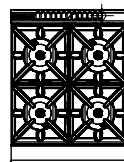
#### RN8400G-CB CABINET BASE



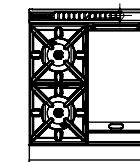
#### RN8400G-LS LEG STAND



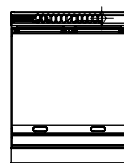
#### RN8400G



#### RN8403G



#### RN8406G



moffat.com.au  
 moffat.co.nz

Australia  
 moffat.com.au

#### Moffat Pty Limited

Victoria/Tasmania  
 740 Springvale Road  
 Mulgrave, Victoria 3170  
 Telephone +613-9518 3888  
 Facsimile +613-9518 3833  
 vsales@moffat.com.au

New South Wales  
 Telephone +612-8833 4111  
 nswsales@moffat.com.au

South Australia  
 Telephone +613-9518 3888  
 vsales@moffat.com.au

Queensland  
 Telephone +617-3630 8600  
 qldsales@moffat.com.au

Western Australia  
 Telephone +618-9413 2400  
 wasales@moffat.com.au

New Zealand  
 moffat.co.nz

#### Moffat Limited

Rolleston  
 45 Illinois Drive  
 Izone Business Hub  
 Rolleston 7675  
 Telephone +64 3-983 6600  
 Facsimile +64 3-983 6660  
 sales@moffat.co.nz

Auckland  
 Telephone +64 9-574 3150  
 sales@moffat.co.nz



Cert. No. 6902

In line with policy to continually develop and improve its products, Moffat Limited reserves the right to change specifications and design without notice.

© Copyright Moffat Ltd  
 AN.W8.08/19