

Technical data sheet for

GAS RANGE ELECTRIC CONVECTION OVEN 750mm

RN8510GEC, RN8513GEC



RN8510GEC

- Heavy-duty construction
- 28 MJ/hr open burners
- Flame failure standard
- Pilot burners optional
- 300mm griddle plate options
- Optional simmer plates
- GN 1/1 5.5kW electric convection oven
- Drop down door
- Stainless steel exterior
- Easy clean
- Easy service
- Fully modular
- Low back models (RNL) available

Overall Construction

- Galvanized steel chassis
- Welded hob with 1.5mm 304 stainless steel bull nose
- Splashback and hob sides 1.2mm 304 stainless steel
- Front panels and oven sides 0.9mm 304 stainless steel
- 150mm legs in 63mm dia. heavy-duty 1.2mm 304 stainless steel with adjustable feet

COOKTOP

- Cast iron 28MJ/hr open burners with forged brass cap
- Vitreous enamelled cast iron potstands
- Vitreous enamelled open burner spill covers
- Cast iron simmer plates (optional extra)
- 12mm thick mild steel griddle plates
- 2.5mm 304 stainless steel griddle splash guards
- Vitreous enamelled spill trays
- Aluminised steel internal construction

Griddle sections are standard on RH side. Available on LH side to order or by conversion.

OVEN

- Fully welded and vitreous enamelled oven liner
- GN 1/1 capacity with 4 position racking
- Heavy-duty easy remove heavy wire chrome rack supports
- Cast iron even heat oven sole plate
- 5.5kW heating elements
- 100W heavy-duty motor
- 200mm diameter heavy-duty circulation fan
- Welded frame drop down door with heavy-duty spring hinge system
- 0.9mm 304 stainless steel door outer
- 1.0mm press formed vitreous enamelled door inner
- High density fibreglass insulated
- Stay cool stainless steel door handle with cast metal handle mounts
- Supplied with two chrome wire oven racks

Controls

- Large easy use control knob - heat resistant reinforced
- Easy view control settings on knob

COOKTOP

- Variable high to low controls to open burners
- Open burners flame failure standard with pilot burners optional
- Variable high to low controls to griddles
- Griddles standard with pilot, flame failure and piezo ignition

OVEN

- 50-320°C thermostatic control
- Indicator lights for power and heating

Cleaning and Servicing

- All models with easy clean stainless steel external finish
- Lift off burners heads and vitreous enamelled burner spill covers
- Vitreous enamelled spill trays under open burner and griddle sections
- Removable oven racking and sole plate
- Easy clean vitreous enamel oven and door inner
- Door hinge spring adjustable on unit (door outer removed)
- Door disengages for lift off removal and increased service access
- All parts front accessible from installed position
- Access to all parts from front of unit

Technical data sheet for

GAS RANGE ELECTRIC CONVECTION OVEN 750mm

Specifications

Burners

Open Burners 28MJ/hr dual flame ring with simmer rate

Griddle Burners 20MJ/hr per 300mm section

Oven Elements

3.75kW bottom heat element

1.75kW top heat element

Gas power

RN8510GEC 112 MJ/hr, 31.1kW

RN8513GEC 76 MJ/hr, 21.1kW

Oven Fan Motor

100W

Electrical requirements

5.6kW

1 phase connection:

230-240Vac, 50/60hz, 1P+N+E, 23.3A

3 phase connection:

400-415Vac, 50/60hz, 3P+N+E

L1 7.8A

L2 7.8A

L3 7.7A

Griddle Plate

300mm Griddle cooking surface

292mm x 475mm, 1387cm²

Oven Dimensions

Width 500mm

Depth 590mm

Height 385mm

Rack size 495mm x 540mm

Rack positions 4

Gas connection

R 3/4 (BSP) male

130mm from RH side, 35mm from rear,

and 655mm from floor

All units supplied with Natural and LP gas

regulator

Electrical connection

25mm from RH side, 484mm from rear,

and 150mm from floor

DIMENSIONS

Width 750mm

Depth 805mm

Height 915mm

Incl. splashback 1130mm

Incl. low back 970mm

NETT WEIGHT

193kg

PACKING DATA

0.87m³, 251kg

Width 795mm

Depth 870mm

Height 1255mm

GAS TYPES

Available in Natural gas and LP gas

Please specify when ordering

Units supplied complete with gas type

conversion kits

Other gas types on request

OPTIONS AT EXTRA COST

Simmer plates (replaces Potstand)

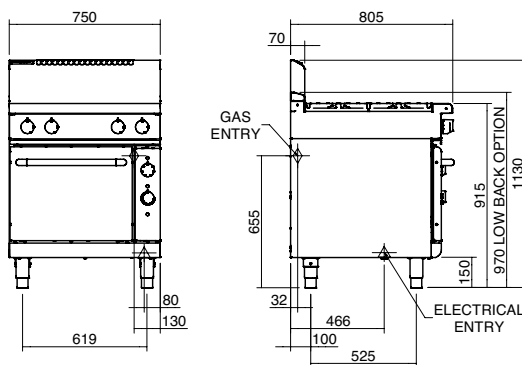
Ribbed griddle plates

Joining caps

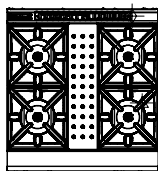
Castors

Plinth mounting

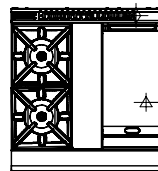
RN8510GEC, RN8513GEC



RN8510GEC



RN8513GEC



moffat.com.au

moffat.co.nz

Australia

moffat.com.au

Moffat Pty Limited

Victoria/Tasmania

740 Springvale Road

Mulgrave, Victoria 3170

Telephone +613-9518 3888

Facsimile +613-9518 3833

vsales@moffat.com.au

New South Wales

Telephone +612-8833 4111

nswsales@moffat.com.au

South Australia

Telephone +613-9518 3888

vsales@moffat.com.au

Queensland

Telephone +617-3630 8600

qldsales@moffat.com.au

Western Australia

Telephone +618-9413 2400

wasales@moffat.com.au

New Zealand

moffat.co.nz

Moffat Limited

Rolleston

45 Illinois Drive

Izone Business Hub

Rolleston 7675

Telephone +64 3-983 6600

Facsimile +64 3-983 6660

sales@moffat.co.nz

Auckland

Telephone +64 9-574 3150

sales@moffat.co.nz

24:7

Service Support

ISO9001

Quality

Management

Standard

SGS

AGAMA

AGA

Cert. No. 6913

In line with policy to continually develop

and improve its products, Moffat

Limited reserves the right to change

specifications and design without notice.

© Copyright Moffat Ltd

AN.W8.08/19