

# Single Pan Electric Multi Pan

**JUMP 151 - 150 LITRE**



- 150 litre single pan capacity
- 3 x 1/1 GN pan size
- 63dm<sup>2</sup> cooking surface
- 280mm depth pan
- Multi pan for cooking, frying, braising, grilling, searing, broiling and sous-vide cooking
- Automatic basket lifting
- Automatic water filling system with accuracy of 1 decilitre
- Electromechanical tray tilting at variable speed
- 10" colour touch screen for intuitive operation and cook progress display
- Automatic and manual meal preparation mode with memory for 350 programs with 20 steps
- Four point core temperature probe
- Integrated retractable hand shower

## Overall Construction

- Base frame with 3mm 304 grade stainless steel
- Frame cover with 304 grade stainless steel
- Tray with 3mm 316 grade stainless steel
- Special sandwich design pan base
- Stainless steel SUPER BLOCK JPX 17 full area heat distribution system
- Robust double insulated cover with automatic lifting function
- Excessive steam exhaust on cover
- Integrated 230V / 16A socket
- Retractable switchboard panel on right pillar allowing integration of multiple pans in a single block

## Controls

- Fast base preheating
- Temperature range from 30°C-250°C
- Accurate sensory measurement of temperature
- Liquid level gauge
- Integrated drainage in the tray bottom with automatic closure
- Preset technological procedures

- Automatic extension of baskets - allows operation with cover closed
- Safety sensor for basket arm detection
- Fault messages shown on display
- Water pressure controller
- HACCP recording
- USB port for data backup

## Cleaning and Servicing

- Easy clean stainless steel surface
- Easy services access from front and top sides
- Technical and service information on display

## Single Pan Electric Multi Pan

**JUMP 151 - 150 LITRE**

### Specifications

#### Dimensions

Width 1707mm  
Depth 850mm  
Height 1030mm

#### Capacity

150 litre

#### Nett weight

560kg

#### Packing data

677kg  
Width 1840mm  
Depth 1080mm  
Height 1220mm

#### Electrical rating

400-415V, 3P+N+E, 50Hz, 50A  
Energy consumption: 38.3kW

#### Water connection requirements

Inlet connection: R 3/4  
Water outlet connection: Ø 50

#### Installation conditions

(for precise installation instructions please refer to our installation manual)



moffat.com.au  
moffat.co.nz

#### Australia

moffat.com.au

#### Moffat Pty Limited

Victoria/Tasmania  
740 Springvale Road  
Mulgrave, Victoria 3170  
Telephone +613-9518 3888  
Facsimile +613-9518 3833  
vsales@moffat.com.au

#### New South Wales

Telephone +612-8833 4111  
nswsales@moffat.com.au

#### South Australia

Telephone +613-9518 3888  
vsales@moffat.com.au

#### Queensland

Telephone +617-3630 8600  
qldsales@moffat.com.au

#### Western Australia

Telephone +618-9413 2400  
wasales@moffat.com.au

#### New Zealand

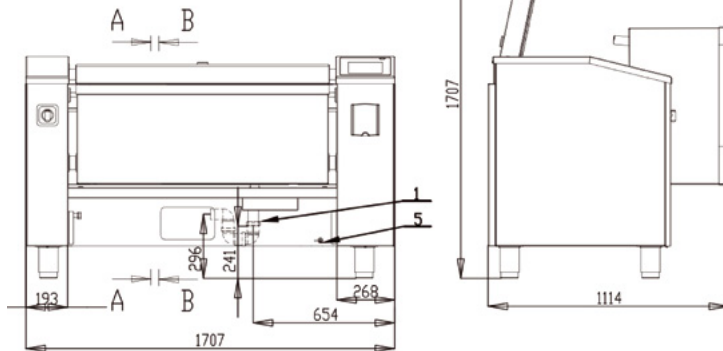
moffat.co.nz

#### Moffat Limited

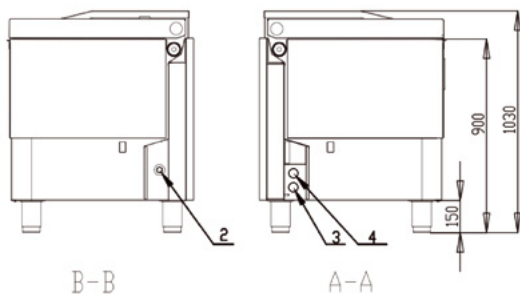
Rolleston  
45 Illinois Drive  
Izone Business Hub  
Rolleston 7675  
Telephone +64 3-983 6600  
Facsimile +64 3-983 6660  
sales@moffat.co.nz

#### Auckland

Telephone +64 9-574 3150  
sales@moffat.co.nz



- 1 Drain DN 50
- 2 Water Inlet 3/4"
- 3 Power Connection
- 4 LAN Jack RJ 45
- 5 Equipotential Bonding



Copyright Moffat Ltd.  
AN.WJ.2021