

## GAS SALAMANDER 900mm

G91, G91B

---

- Powerful infra-red gas burners
- Left and right individual burner controls
- Branding plate option
- Wall mounting bracket
- Easy clean
- Easy service



G91B

### Overall Construction

- Monocoque construction
- Vitreous enamelled front brow
- External panels of 0.9mm stainless steel
- Stainless steel tray under grilling area with grease trough
- Two individually controlled 15.5 MJ/hr infra-red burners
- Suitable for bench or wall mounting

### Racking

- Four position racking (flat or inclined)
- Adjustable chrome wire rack with heat resistant handles

### Controls

- Large easy use controls
- Heat resistant reinforced control knobs
- Variable high to low burner control
- Piezo ignition and flame failure protection on each burner

### Cleaning and Servicing

- Access to all parts from front of unit
  - Stainless steel and vitreous porcelain enamel surfaces used throughout
-

# GAS SALAMANDER 900mm

G91, G91B

### Specifications

#### Burners

2 x 15.5 MJ/hr

#### Gas power

31MJ/hr, 8.75kW

#### Gas connection

R 1/2 (BSP) male

#### Dimensions

Width 900mm

Depth 424mm (455mm with wall mounting bracket)

Height 456mm

#### Cooking area

Rack size 610mm x 310mm, 1890cm<sup>2</sup>

Branding Plate 610mm x 310mm, 1890cm<sup>2</sup>

#### Nett weight

42kg

#### Packing data

0.31m<sup>3</sup>, 69kg

Width 945mm

Depth 520mm

Height 635mm

#### Gas types

Available in both Natural gas and LP gas, please specify when ordering

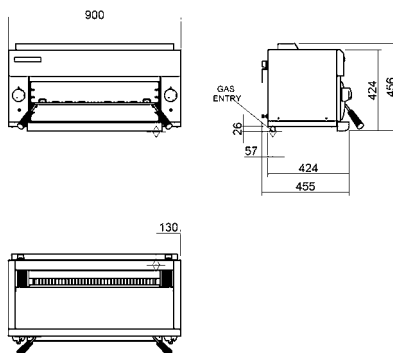
All units are supplied with gas conversion kits

#### Options

100mm high feet for bench mounting

Branding plate

G91



[moffat.com.au](http://moffat.com.au)

[moffat.co.nz](http://moffat.co.nz)

#### Australia

[moffat.com.au](http://moffat.com.au)

#### Moffat Pty Limited

Victoria/Tasmania  
740 Springvale Road  
Mulgrave, Victoria 3170  
Telephone +613-9518 3888  
Facsimile +613-9518 3833  
[vsales@moffat.com.au](mailto:vsales@moffat.com.au)

#### New South Wales

Telephone +612-8833 4111  
[nswsales@moffat.com.au](mailto:nswsales@moffat.com.au)

#### South Australia

Telephone +613-9518 3888  
[vsales@moffat.com.au](mailto:vsales@moffat.com.au)

#### Queensland

Telephone +617-3630 8600  
[qldsales@moffat.com.au](mailto:qldsales@moffat.com.au)

#### Western Australia

Telephone +618-9413 2400  
[wasales@moffat.com.au](mailto:wasales@moffat.com.au)

#### New Zealand

[moffat.co.nz](http://moffat.co.nz)

#### Moffat Limited

Rolleston  
45 Illinois Drive  
Izone Business Hub  
Rolleston 7675  
Telephone +64 3-983 6600  
Facsimile +64 3-983 6660  
[sales@moffat.co.nz](mailto:sales@moffat.co.nz)

#### Auckland

Telephone +64 9-574 3150  
[sales@moffat.co.nz](mailto:sales@moffat.co.nz)



Cert. No. 4337

In line with policy to continually develop and improve its products, Moffat Limited reserves the right to change specifications and design without notice.

© Copyright Moffat Ltd  
AN.BSE.01.19/1620

an Ali Group Company



The Spirit of Excellence