

## VEE RAY FILTAMAX

EF30, EF35, EF40

- Mobility and space saving features
- Powerful reversible 1/3 HP pump
- Full stainless steel construction
- Reusable filter bag
- Upgrade kit to carbon pad filtering
- Easy clean
- Easy service



EF35

### Overall Construction

- Full stainless steel construction
- Mounted on two fixed and two swivel castors
- 1/3 HP motor, reversible, heavy duty pump
- Heavy duty motor switch
- Rigid return delivery tube for safe, efficient, return of oil and shortening to fryer tank
- Reusable 'easy clean' filter bags, with upgrade kit to carbon pad filtering available
- Heavy duty stainless steel handle
- Cord storage
- Heavy duty heat resistant handle fitted to oil delivery tube

### Controls

- Off/Forward/Reverse pump control

### Cleaning and Servicing

- Open stainless steel pan for easy clean
- Easy clean stainless steel exterior

# VEE RAY FILTAMAX

EF30, EF35, EF40

### Specifications

#### Pump

1/3 HP single phase reversible pump

#### Electrical requirements

220 - 240 V.a.c., 50/60 Hz, 1 P+N+E, 3.2A  
110 - 120 V.a.c., 50/60 Hz, 1 P+N+E, 6.4A

#### Electrical connection

62mm from RH side, 365mm from rear, and 440mm from floor

3 pin 10A plug cordset fitted

#### Filtering capacity

EF30 20 litres  
EF35 30 litres  
EF40 32 litres

#### Fryer compatibility

EF30 GT45/E  
GT46/E  
EF35 E43/E  
E44/E  
EF40 GT60/E  
GT60-HPO/E

#### Under fryer storage

EF30 GT45/E  
GT46/E  
EF35 N/A  
EF40 GT60/E  
GT60-HPO/E

### Dimensions

#### EF30

Width 324mm  
Depth 683mm  
Height 562mm

#### EF35

Width 324mm  
Depth 735mm  
Height 562mm

#### EF40

Width 474mm  
Depth 683mm  
Height 562mm

### Nett weight

EF30 24kg  
EF35 26kg  
EF40 28kg

### Packing data

EF30 0.28m<sup>3</sup>, 51kg  
EF35 0.28m<sup>3</sup>, 53kg  
EF40 0.28m<sup>3</sup>, 55kg

### Options at extra cost

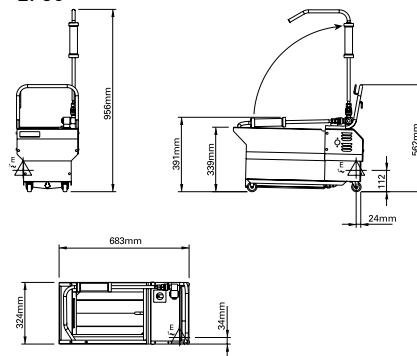
Additional filter bags

Carbon pad upgrade kit (Part No. 025669)

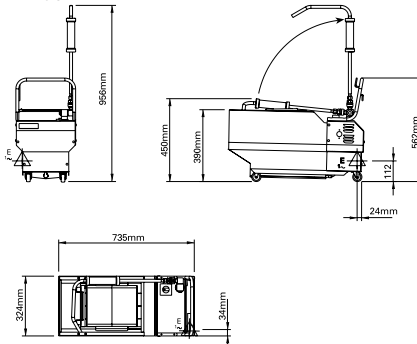
Flexible hose with stay cool handle (Part No. 020417)

Drain adaptor kit (Part No. 024705) and drain extension kit (Part No. 024710) available for using EF40 for combined 450mm + 600mm wide

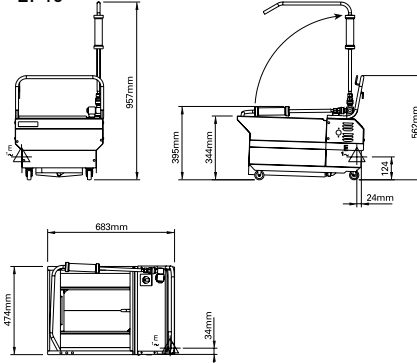
#### EF30



#### EF35



#### EF40



[moffat.com.au](http://moffat.com.au)  
[moffat.co.nz](http://moffat.co.nz)

#### Australia

[moffat.com.au](http://moffat.com.au)

#### Moffat Pty Limited

Victoria/Tasmania  
740 Springvale Road  
Mulgrave, Victoria 3170  
Telephone +613-9518 3888  
Facsimile +613-9518 3833  
[vsales@moffat.com.au](mailto:vsales@moffat.com.au)

New South Wales  
Telephone +612-8833 4111  
[nswsales@moffat.com.au](mailto:nswsales@moffat.com.au)  
South Australia  
Telephone +613-9518 3888  
[vsales@moffat.com.au](mailto:vsales@moffat.com.au)

Queensland  
Telephone +617-3630 8600  
[qldsales@moffat.com.au](mailto:qldsales@moffat.com.au)

Western Australia  
Telephone +618-9413 2400  
[wasales@moffat.com.au](mailto:wasales@moffat.com.au)

#### New Zealand

[moffat.co.nz](http://moffat.co.nz)

#### Moffat Limited

Rolleston  
45 Illinois Drive  
Izone Business Hub  
Rolleston 7675  
Telephone +64 3-983 6600  
Facsimile +64 3-983 6660  
[sales@moffat.co.nz](mailto:sales@moffat.co.nz)

Auckland  
Telephone +64 9-574 3150  
[sales@moffat.co.nz](mailto:sales@moffat.co.nz)



In line with policy to continually develop and improve its products, Moffat Limited reserves the right to change specifications and design without notice.

© Copyright Moffat Ltd  
AN.BSE.01.19/1620