

### CS9

### 900mm Gas Salamander



CS9

- 900mm wide
- Dual high performance infrared burners
- Removable easy-clean bottom tray
- Independently controlled sides
- Flame failure protection on each burner
- Wall mounting bracket supplied
- Stainless steel finish
- Optional: Branding plate

#### OVERALL CONSTRUCTION

- Stainless steel exterior
- Vitreous enamelled control panel
- Aluminised steel interior
- Stainless steel crumb tray
- Chrome plated rack and rack supports
- Two individually controlled infra-red burners
- Suitable for bench or wall mounting

#### CONTROLS

- Large easy use control knobs
- Dual controls with variable high to low burner setting
- Flame failure on each burner

#### CLEANING AND SERVICING

- Removable grill rack system, rack supports and crumb tray
- Easy clean stainless steel exterior
- Access to all parts from front of unit

#### Matching Products



CW2H



CSP6



CN4



CT9



CW3H



CW1H



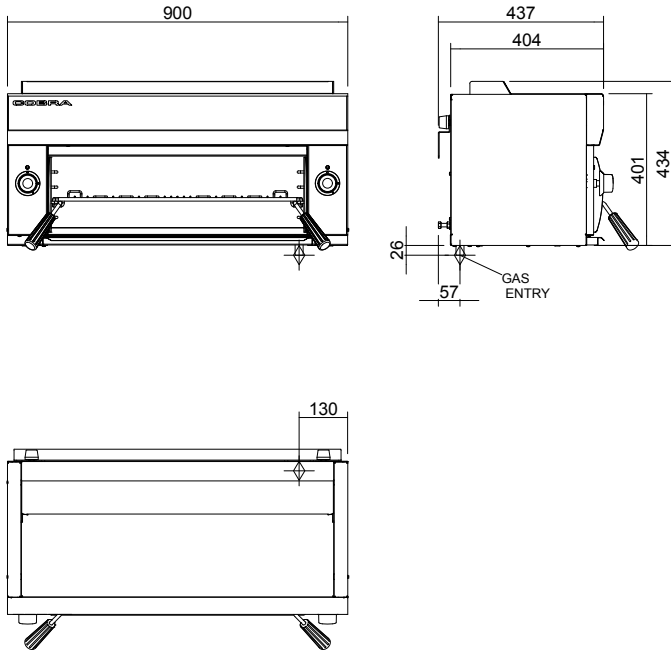
CP4



CS9 / C900-S

### CS9

### 900mm Gas Salamander



CS9

#### SPECIFICATIONS

**Burners**  
2 x 15.75MJ/hr, 4.4kW  
**Maximum consumption**  
31.5MJ/hr, 8.8kW  
**Cooking area**  
**Rack size:**  
610mm x 310mm 1890cm<sup>2</sup>  
**Gas connection**  
R<sup>1</sup>/<sub>2</sub>" (BSP) female  
130mm from right side,  
25mm from rear  
**Dimensions**  
Width 900mm  
Height 434mm  
Depth 404mm  
(437 with wall mounting bracket)  
**Nett weight**  
42kg

**Packing data**  
0.32m<sup>3</sup>, 69kg  
Width 940mm  
Depth 520mm  
Height 640mm  
**Gas types**  
Available in Natural gas and LP gas,  
please specify when ordering  
**Options at extra cost**  
Branding Plate



Cert. No. AGA 4337G

[moffat.com.au](http://moffat.com.au)  
[moffat.co.nz](http://moffat.co.nz)

Australia  
[moffat.com.au](http://moffat.com.au)

Moffat Pty Limited

Victoria/Tasmania  
740 Springvale Road  
Mulgrave, Victoria 3170  
Telephone +613-9518 3888  
Facsimile +613-9518 3833  
[vsales@moffat.com.au](mailto:vsales@moffat.com.au)

New South Wales  
Telephone +612-8833 4111  
[nswsales@moffat.com.au](mailto:nswsales@moffat.com.au)

South Australia  
Telephone +613-9518 3888  
[vsales@moffat.com.au](mailto:vsales@moffat.com.au)

Queensland  
Telephone +617-3630 8600  
[qldsales@moffat.com.au](mailto:qldsales@moffat.com.au)

Western Australia  
Telephone +618-9413 2400  
[wasales@moffat.com.au](mailto:wasales@moffat.com.au)

New Zealand  
[moffat.co.nz](http://moffat.co.nz)

Moffat Limited

Rolleston  
45 Illinois Drive  
Izone Business Hub  
Rolleston 7675  
Telephone +64 3-983 6600  
Facsimile +64 3-983 6660  
[sales@moffat.co.nz](mailto:sales@moffat.co.nz)

Auckland  
Telephone +64 9-574 3150  
[sales@moffat.co.nz](mailto:sales@moffat.co.nz)



ISO9001  
Quality  
Management  
Standard

Designed and manufactured by



ISO9001  
All Cobra products are designed and manufactured by Moffat using the internationally recognised ISO9001 quality management system, covering design, manufacture and final inspection, ensuring consistent high quality at all times.

In line with policy to continually develop and improve its products, Moffat Limited reserves the right to change specifications and design without notice.

© Copyright Moffat Ltd  
AN.C.01.19 / 1598

an Ali Group Company



The Spirit of Excellence