

C9C-B

900mm Four Burner/Griddle Gas Cooktop Bench Model



C9C-B

- Countertop Bench Model
- 900mm wide
- 4 open burners
- 300mm griddle plate
- 22MJ open burner rating
- Flame failure standard on open burners
- Optional pilot and flame failure on open burners
- Cast iron burners and vitreous enamel potstands
- 1 griddle burner with pilot, flame failure and piezo ignition
- Griddle plate machine finished 12mm thickness
- Adjustable bench feet
- Stainless steel finish

Also Available



C9A-B



C9B-B



C9D-B

OVERALL CONSTRUCTION

- Cast iron open burner heads with vitreous enamelled cast iron caps
- Vitreous enamelled potstands
- Vitreous enamelled control panel
- 12mm machined surface mild steel griddle plates
- Stainless steel front, sides and splashback
- Stainless steel spill tray
- Griddle section are standard on RH side only
- 63mm dia. stainless steel adjustable bench feet

CONTROLS

- Large easy use control knobs
- Variable high to low controls to open and griddle burners
- Flame failure standard on open burners
- Optional pilot and flame failure on open burners
- Griddles standard with pilot, flame failure and piezo ignition

CLEANING AND SERVICING

- Easy clean stainless steel exterior
- Vitreous enamelled potstands and burner caps
- Lift off open burner caps and removable burners
- Removable spill trays
- Stainless steel grease trays on griddle

Matching Products



CW2H



CSP6



CN4



CT9



CW3H



CW1H



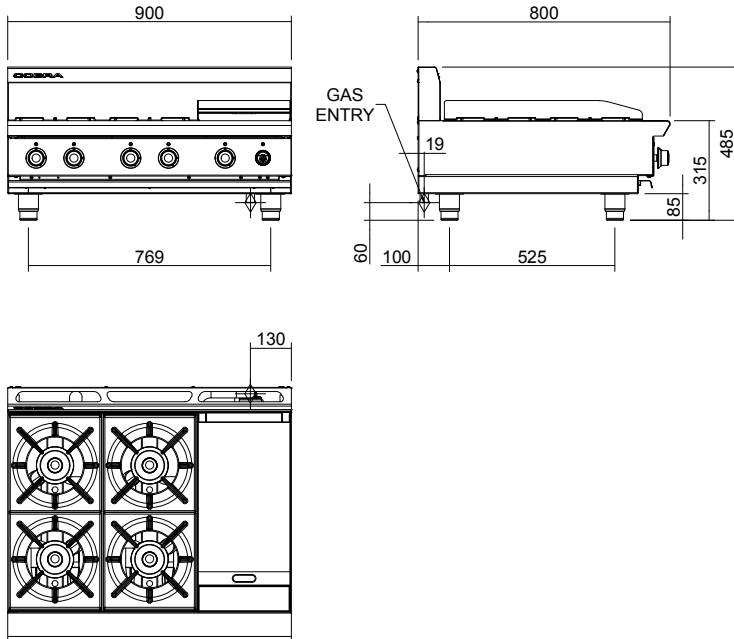
CP4



CS9 / C900-S

C9C-B

900mm Four Burner/Griddle Gas Cooktop Bench Model



C9C-B

SPECIFICATIONS

Burners
 Open Burners;
 22MJ/hr, 5.5kW each
 Griddle Burners;
 20MJ/hr, 5.0kW per 300mm section

Gas power (gross)
 C9C 108 MJ/hr, 30kW

Gas connection
 R 3/4 (BSP) male
 130mm from RH side, 20mm from rear, and 60mm from bench

Dimensions
 Width 900mm
 Depth 800mm
 Height 315mm
 Incl. splashback 485mm
 Nett weight
 67.5kg

Packing data
 0.72m³, 104kg
 Width 1010mm
 Depth 955mm
 Height 750mm

Gas types
 Available in Natural gas and LP gas,
 please specify when ordering
 Other gas types on request

moftat.com.au
 moftat.co.nz

Australia
 moftat.com.au

Moffat Pty Limited

Victoria/Tasmania
 740 Springvale Road
 Mulgrave, Victoria 3170
 Telephone +613-9518 3888
 Facsimile +613-9518 3833
 vsales@moffat.com.au

New South Wales
 Telephone +612-8833 4111
 nswsales@moffat.com.au

South Australia
 Telephone +613-9518 3888
 vsales@moffat.com.au

Queensland
 Telephone +617-3630 8600
 qldsals@moffat.com.au

Western Australia
 Telephone +618-9413 2400
 wasales@moffat.com.au

New Zealand
 moftat.co.nz

Moffat Limited

Rolleston
 45 Illinois Drive
 Izone Business Hub
 Rolleston 7675
 Telephone +64 3-983 6600
 Facsimile +64 3-983 6660
 sales@moffat.co.nz

Auckland
 Telephone +64 9-574 3150
 sales@moffat.co.nz



Designed and manufactured by



ISO9001
 All Cobra products are designed and manufactured by Moffat using the internationally recognised ISO9001 quality management system, covering design, manufacture and final inspection, ensuring consistent high quality at all times.

In line with policy to continually develop and improve its products, Moffat Limited reserves the right to change specifications and design without notice.

© Copyright Moffat Ltd
 AN.C.01.19 / 1598



Cert. No. AGA 7225G

an Ali Group Company



The Spirit of Excellence