

C6C-B

600mm Two Burner/Griddle Gas Cooktop Bench Model



C6C-B

- Countertop Bench Model
- 600mm wide
- 2 open burners
- 300mm griddle plate
- 22MJ open burner rating
- Flame failure standard on open burners
- Optional pilot and flame failure on open burners
- Cast iron burners and vitreous enamel potstands
- 1 griddle burner with pilot, flame failure and piezo ignition
- Griddle plate machine finished 12mm thickness
- Adjustable bench feet
- Stainless steel finish

Also Available



C6B-B



C6D-B

OVERALL CONSTRUCTION

- Cast iron open burner heads with vitreous enamelled cast iron caps
- Vitreous enamelled potstands
- Vitreous enamelled control panel
- 12mm machined surface mild steel griddle plate
- Stainless steel front, sides and splashback
- Stainless steel spill tray
- Griddle sections are standard on RH side only
- 63mm dia. stainless steel adjustable feet

CONTROLS

- Large easy use control knobs
- Variable high to low controls to open and griddle burners
- Flame failure standard on open burners
- Optional pilot and flame failure on open burners
- Griddles standard with pilot, flame failure and piezo ignition

CLEANING AND SERVICING

- Easy clean stainless steel exterior
- Vitreous enamelled potstands and burner caps
- Lift off open burner caps and removable burners
- Removable spill trays
- Stainless steel grease trays on griddles
- Access to all parts from front of unit

Matching Products



CW2H



CSP6



CN4



CT9



CW3H



CW1H



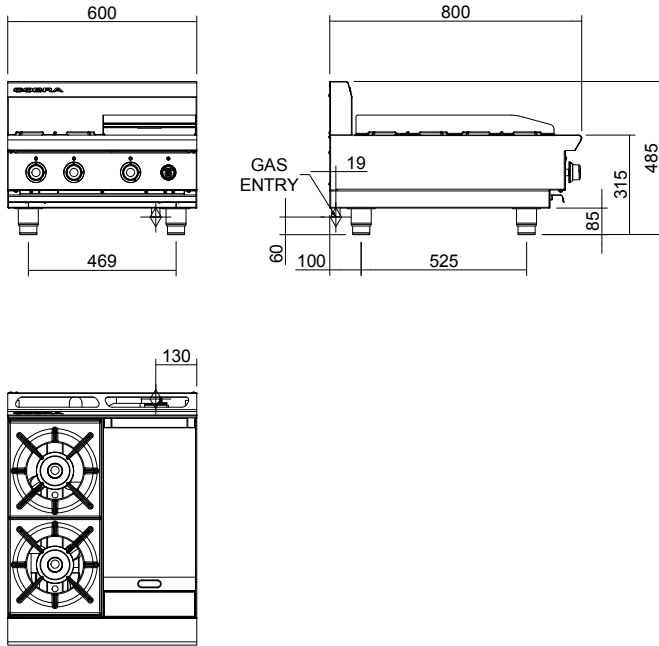
CP4



CS9 / C900-S

C6C-B

600mm Two Burner/Griddle Gas Cooktop Bench Model



C6C-B

SPECIFICATIONS

Burners

Open Burners;
22MJ/hr, 5.5kW each

Griddle Burners;
20MJ/hr, 5.0kW per 300mm section

Gas power (gross)
C6C 64MJ/hr, 16kW

Gas connection
R 3/4 (BSP) male
130mm from RH side, 20mm from
rear, and 60mm from bench

Dimensions

Width 600mm
Depth 800mm
Height 315mm
Incl. splashback 485mm
Nett weight
58.5kg

Packing data

0.51m³, 86.5kg
Width 710mm
Depth 955mm
Height 750mm

Gas types

Available in Natural gas and LP gas,
please specify when ordering
Other gas types on request

moffat.com.au
moffat.co.nz

Australia
moffat.com.au

Moffat Pty Limited

Victoria/Tasmania
740 Springvale Road
Mulgrave, Victoria 3170
Telephone +613-9518 3888
Facsimile +613-9518 3833
vsales@moffat.com.au

New South Wales
Telephone +612-8833 4111
nswsales@moffat.com.au

South Australia
Telephone +613-9518 3888
vsales@moffat.com.au

Queensland
Telephone +617-3630 8600
qldsals@moffat.com.au

Western Australia
Telephone +618-9413 2400
wasales@moffat.com.au

New Zealand
moffat.co.nz

Moffat Limited

Rolleston
45 Illinois Drive
Izone Business Hub
Rolleston 7675
Telephone +64 3-983 6600
Facsimile +64 3-983 6660
sales@moffat.co.nz

Auckland
Telephone +64 9-574 3150
sales@moffat.co.nz



ISO9001
Quality
Management
Standard

Designed and manufactured by



ISO9001

All Cobra products are designed and
manufactured by Moffat using the
internationally recognised ISO9001
quality management system,
covering design, manufacture and
final inspection, ensuring consistent
high quality at all times.

In line with policy to continually
develop and improve its products,
Moffat Limited reserves the right
to change specifications and design
without notice.



Cert. No. AGA 7225G

an Ali Group Company



The Spirit of Excellence