

### C3C-B

#### 305mm Griddle Gas Cooktop Bench Model



C3C-B

- Countertop Bench Model
- 305mm wide
- 1 griddle burner with pilot, flame failure and piezo ignition
- Machine finished griddle plate 12mm thickness
- Adjustable bench feet
- Stainless steel finish

#### Also Available



C3D-B

#### OVERALL CONSTRUCTION

- 12mm machined surface mild steel griddle plate
- Stainless steel front, sides and splashback
- Vitreous enamelled control panel
- Stainless steel spill tray
- 63mm dia. stainless steel adjustable bench feet

#### CONTROLS

- Large easy use control knob
- Variable high to low control to griddle burner
- Standard with pilot, flame failure and piezo ignition

#### CLEANING AND SERVICING

- Easy clean stainless steel exterior
- Stainless steel grease tray
- Access to all parts from front of unit

#### Matching Products



CW2H



CSP6



CN4



CT9



CW3H



CW1H



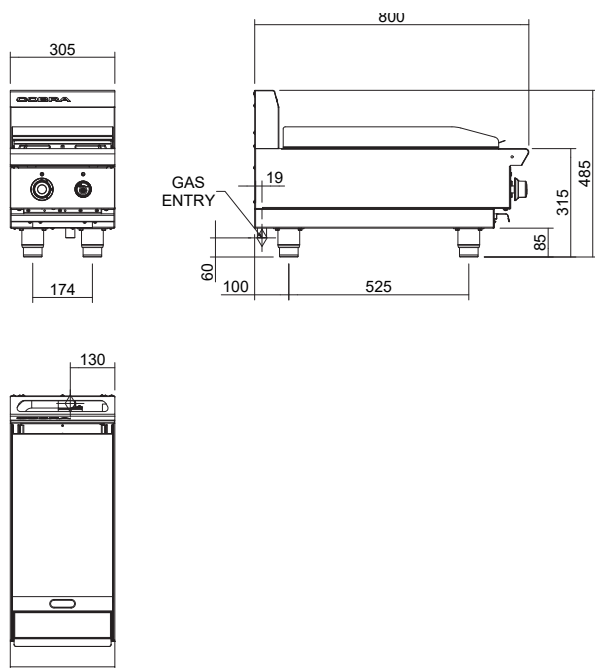
CP4



CS9 / C900-S

### C3C-B

### 305mm Griddle Gas Cooktop Bench Model



C3C-B

#### SPECIFICATIONS

##### Burners

Gas power (gross)  
20MJ/hr, 5kW

Gas connection  
R 3/4 (BSP) male  
130mm from RH side, 20mm from  
rear, and 60mm from bench

##### Dimensions

Width 305mm  
Depth 800mm  
Height 315mm  
Incl. splashback 485mm

Nett weight  
32kg

##### Packing data

0.20m<sup>3</sup>, 55kg  
Width 345mm  
Depth 860mm  
Height 665mm

##### Gas types

Available in Natural gas and LP gas,  
please specify when ordering  
Other gas types on request

moffat.com.au  
moffat.co.nz

Australia  
moffat.com.au

Moffat Pty Limited

Victoria/Tasmania  
740 Springvale Road  
Mulgrave, Victoria 3170  
Telephone +613-9518 3888  
Facsimile +613-9518 3833  
vsales@moffat.com.au

New South Wales  
Telephone +612-8833 4111  
nswsales@moffat.com.au

South Australia  
Telephone +613-9518 3888  
vsales@moffat.com.au

Queensland  
Telephone +617-3630 8600  
qldsales@moffat.com.au

Western Australia  
Telephone +618-9413 2400  
wasales@moffat.com.au

New Zealand

moffat.co.nz

Moffat Limited

Rolleston  
45 Illinois Drive  
Izone Business Hub  
Rolleston 7675  
Telephone +64 3-983 6600  
Facsimile +64 3-983 6660  
sales@moffat.co.nz

Auckland  
Telephone +64 9-574 3150  
sales@moffat.co.nz



ISO9001  
Quality  
Management  
Standard

Designed and manufactured by



ISO9001

All Cobra products are designed and  
manufactured by Moffat using the  
internationally recognised ISO9001  
quality management system,  
covering design, manufacture and  
final inspection, ensuring consistent  
high quality at all times.

In line with policy to continually  
develop and improve its products,  
Moffat Limited reserves the right  
to change specifications and design  
without notice.

© Copyright Moffat Ltd  
AN.C.S.01.20



Cert. No. AGA 7225G

an Ali Group Company



The Spirit of Excellence