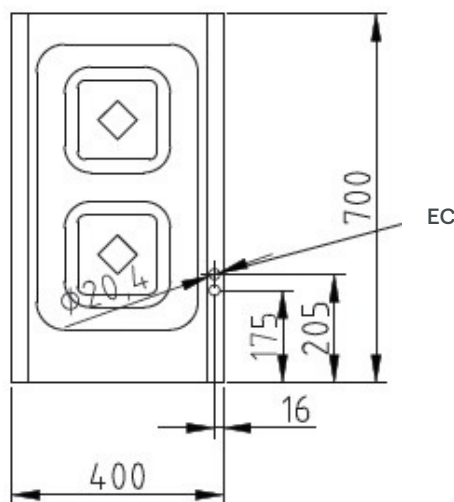
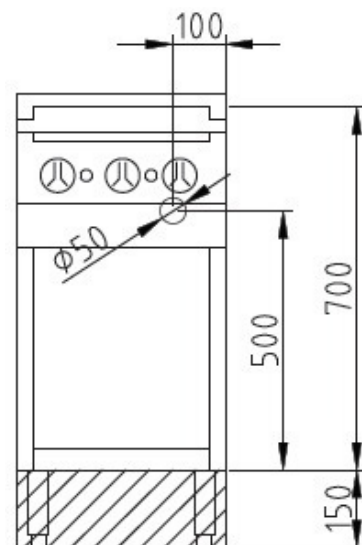


#### Product Advantages:

- Housing made completely of stainless steel.
- Visible surfaces with polished and stain finish, 320 grit.
- Tightly welded top plate with lateral drain channels for easy cleaning.
- Ceramic hob 305 x 540 mm.
- Hob with two heating zones, 3.5 kW each.
- Cooking zones 200 mm in diameter.
- Electronic pan size recognition as standard.
- PT 1000 protection against overheating.

#### Installation requirements:

- Electrical supply provided by costumer.



#### Technical Data:

Width x Height x Depth (mm)	400 x 700 (900) x 700
Effective area	2
Dim.: effect. Area (mm)	305 x 540
Connected load (elect.) (kW):	7.0
Voltage (V) / EC:	415 3 phase AC
Recommended fuses (A):	3 x 16
Net weight (kg):	58
Gross weight (kg):	63
Heat emission latent (W):	560
Heat emission sensitive (W):	490
Type of protection:	IPX5

