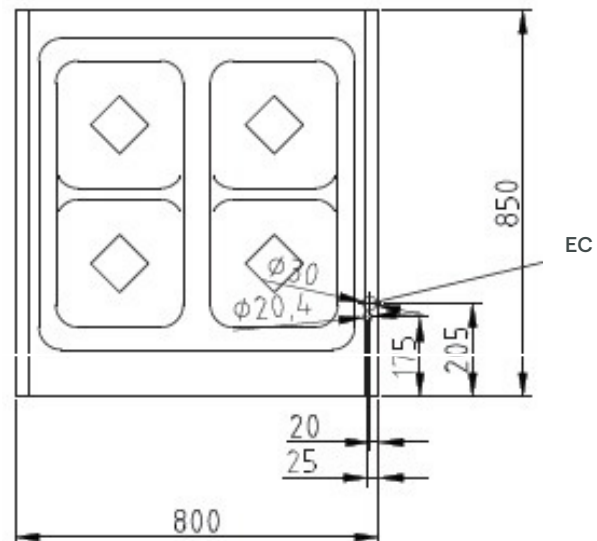
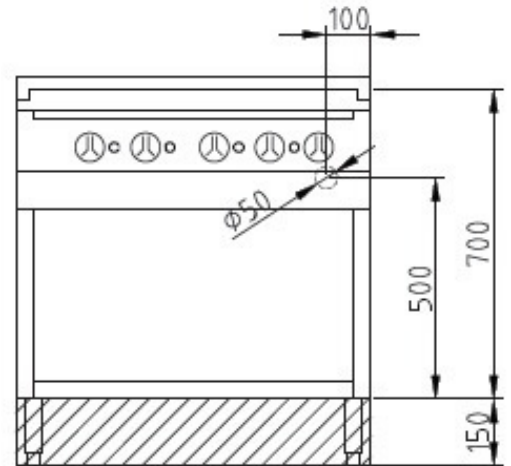


Product Advantages:

- Housing made completely of stainless steel.
- Tightly welded top plate with latera drain channels for easy cleaning.
- Ceramic hob 700 x 690 mm.
- Hob with 4 heating zones, 5.0 kW each.
- Induction generator module 270 mm in diameter.
- Electronic pan recognition as standard.

Installation requirements:

- Electrical supply provided by customer.



Technical Data:

Width x Height x Depth (mm)	800 x 700 (900) x 850
Effective area	1
Dim.: effect. Area (mm)	700 x 690
Connected load (elect.) (kW):	20
Voltage (V) / EC:	415 3 phase AC
Recommended fuses (A):	3 x 32
Net weight (kg):	98
Gross weight (kg):	111
Heat emission latent (W):	1600
Heat emission sensitive (W):	1400
Type of protection:	IPX5

