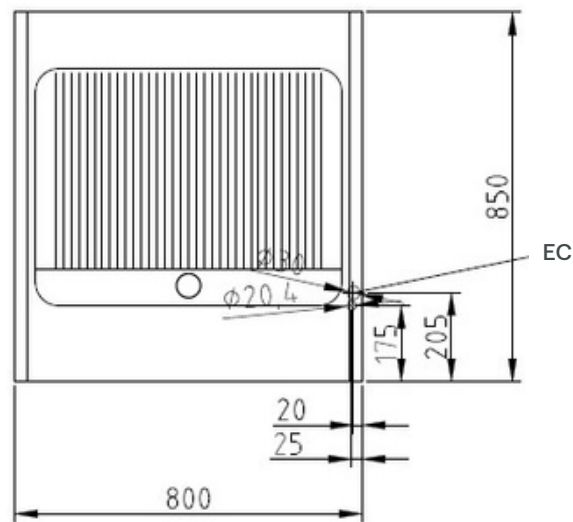
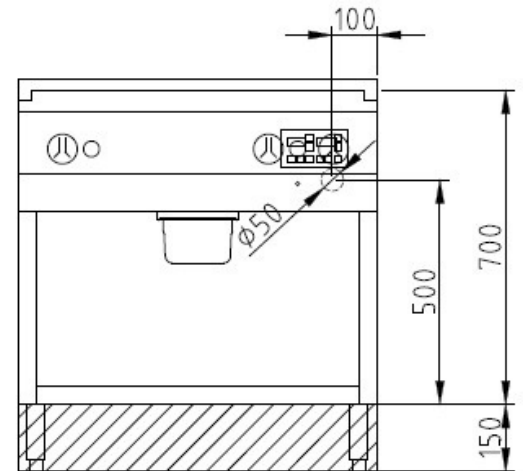


Product Advantages:

- Housing made completely of stainless steel.
- Tightly welded top plate with lateral drain channels for easy cleaning.
- SUPRA heating system-contact heating elements integrated into aluminium blocks ensure greater heating capacity and even heat distribution, shorter heating up times and a longer service life of heating elements.
- Appliance with two separate heating zones.
- Stainless Steel frying surface 700 x 540mm, full ribbed.
- Fat collecting container approx. 4 litres.
- Supplied ready for connection to a power optimising system.

Installation requirements:

- Electrical supply provided by customer.



Technical Data:

Width x Height x Depth (mm)	800 x 700 (900) x 850
Effective area	1
Dim.: effect. Area (mm)	700 x 540
Connected load (elect.) (kW):	10.8
Voltage (V) / EC:	415 3 phase AC
Recommended fuses (A):	3 x 20
Net weight (kg):	102
Gross weight (kg):	115
Heat emission latent (W):	4320
Heat emission sensitive (W):	3564
Type of protection:	IPX5

