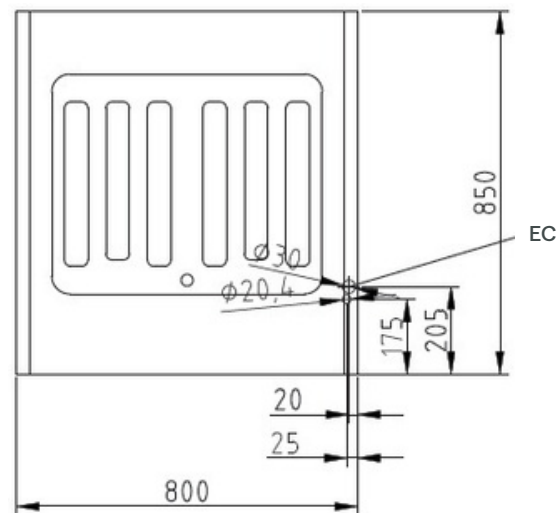
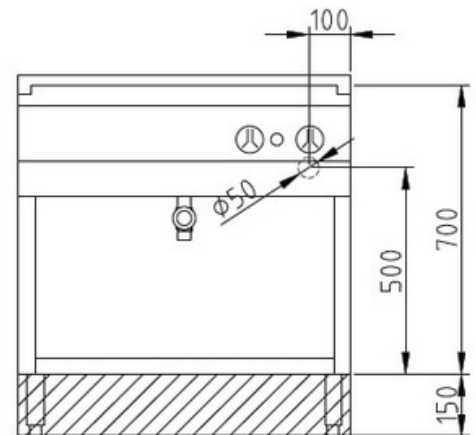


**Product Advantages:**

- Basin 603 x 510 for 2x1/1 gastro norm containers up to 200 mm deep.
- Housing made completely of stainless steel.
- Visible surfaces with polished and satin finish, 320 grit.
- Tightly welded top plate with lateral drain channels for easy cleaning.
- Very easy to clean because of indirect heating by tubular heating elements, with thermostatic temperature control.
- Integrated appliance switch, control lamp and dry run protection.

**Installation requirements:**

- Electrical supply provided by customer.



**Technical Data:**

Width x Height x Depth (mm)	800 x 700 (900) x 850
Effective area	1
Dim.: effect. Area (mm)	630 x 200 x 510
Connected load (elect.) (kW):	3
Voltage (V) / EC:	240 1 phase AC
Recommended fuses (A):	1 x 16
Net weight (kg):	52
Gross weight (kg):	65
Heat emission latent (W):	600
Heat emission sensitive (W):	375
Type of protection:	IPX5

