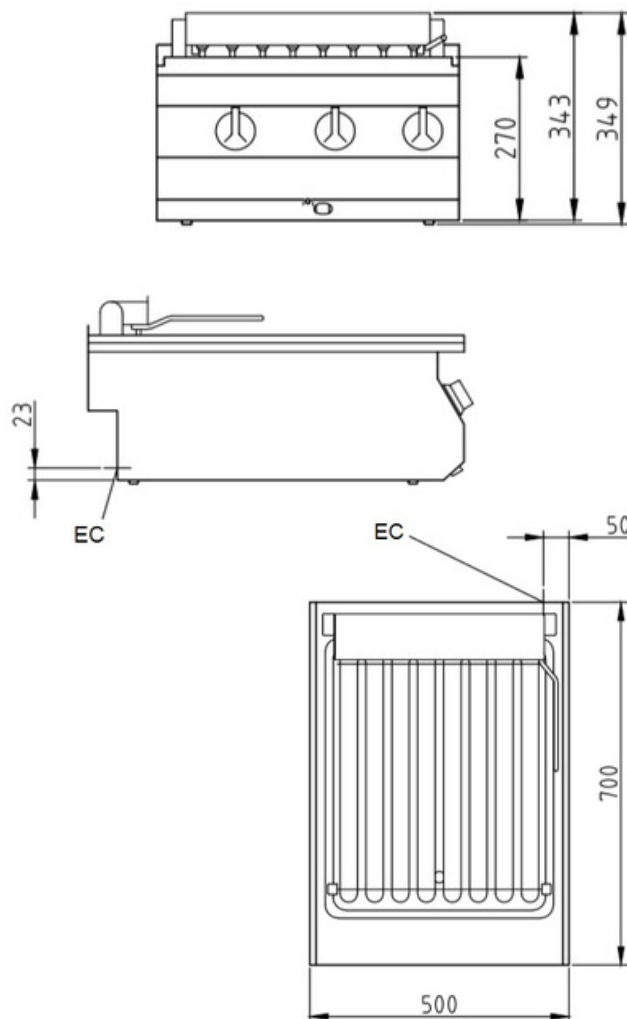


Product Advantages:

- Cast iron grids
- Housing made completely of stainless steel.
- Appliance height only 270mm; more space in substructure.
- U-shaped connection channel, flush with top plate; tightly fitted to the substructure, for maximum hygiene.
- Heating elements can be swivelled completely out of the vat.
- Surface load of heating elements 3.6W/cm².
- Appliance with two separate heating zones.
- Fat collection tray can be filled with water for easier cleaning.

Installation requirements:

- Electrical supply provided by customer.



Technical Data:

Reference:	1221501
Width x Height x Depth (mm)	500 x 270 x 700
Dim.: effect. Area (mm)	380 x 420
Connected load (elect.) (kW):	7
Voltage (V) / EC:	415 3 phase
Recommended fuses (A):	3 x 20
Net weight (kg):	21
Gross weight (kg):	29
Heat emission latent (W):	1225
Heat emission sensitive (W):	4900
Type of protection:	IPX4

