

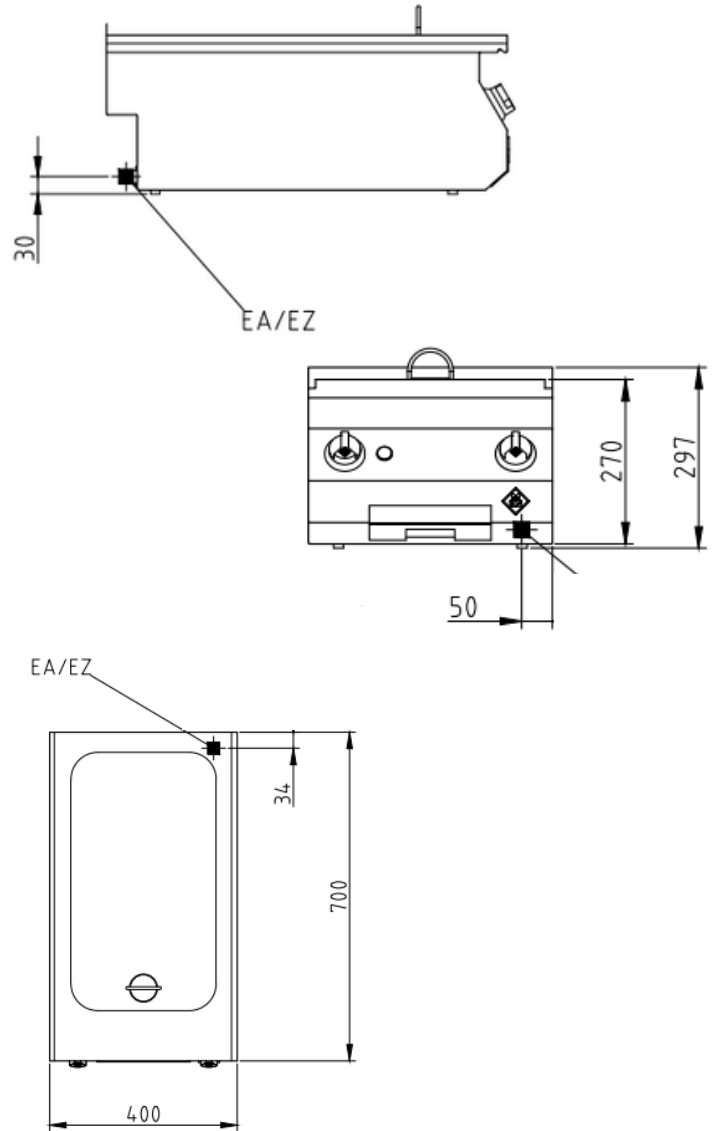


### Product Advantages:

- Body is buckling resistant and self-supporting.
- Large radii which are easy to clean.
- Completely electrically wired inside.
- Power supply cable with CEE plug connector.
- Temperature control by precision thermostats with control lamp, main switch and safety temperature limiter.
- Ergonomically shaped knobs for a easy identification of the position.
- Removable appliance feet which are adjustable in height.
- Closable fat drain outlet at the front with a removable fat collecting container beneath it.

### Product Advantages:

- Electrical supply provided by customer.



### Technical Data:

Effective Area	1
Width x Height x Depth (mm)	400 x 270 x 700
Dim.: effect. Area (mm)	300 x 540
Connected load (elect.) (kW):	5.4
Voltage (V):	415 3 Phase
Recommended fuses (A):	3 x 32
Net weight (kg):	42
Gross weight (kg):	50
Heat emission latent (W):	2160
Heat emission sensitive (W):	1782
Type of protection:	IPX4

