



INDUSTRY KITCHENS

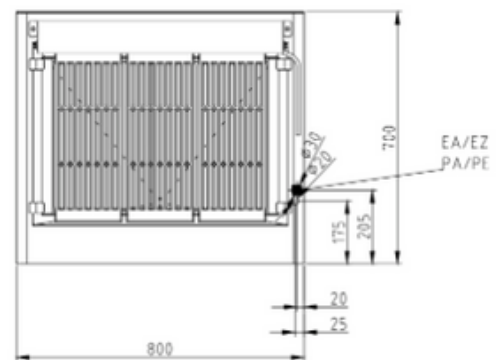
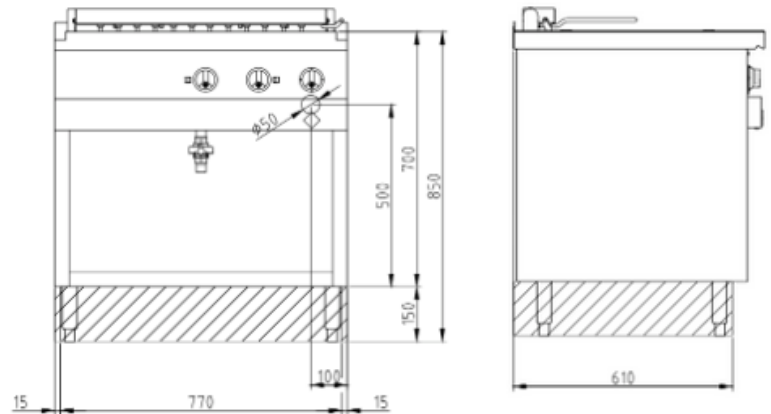
www.industrykitchens.com.au 1800 611 058

Product Advantages:

- Grill surface with three-part cast iron grate.
- Separately adjustable heating zones.
- Pan can be filled with water for easy cleaning.
- Bottom of basin with outlet leading into the lower section.
- Completely wired internally.
- Control panel with profile to protect the control elements, can be taken off at the front for simple and cost-efficient service access.
- Embossing behind the control knobs, ergonomically shaped knobs for a easy identification of the position.
- Housing made completely of stainless steel.

Product Advantages:

- Electrical supply provided by customer.



Technical Data:

Width x Height x Depth (mm)	700 x 700 x 800
Dim.: effect. Area (mm)	580 x 470
Connected load (elect.) (kW):	10, 5
Voltage (V) / EC:	415 3 Phase AC
Recommended fuses (A):	3 x 32
Frequency Range (Hz):	50/60
Net weight (kg):	
Gross weight (kg):	
Heat emission latent (W):	1838
Heat emission sensitive (W):	8400
Type of protection:	IPX5

