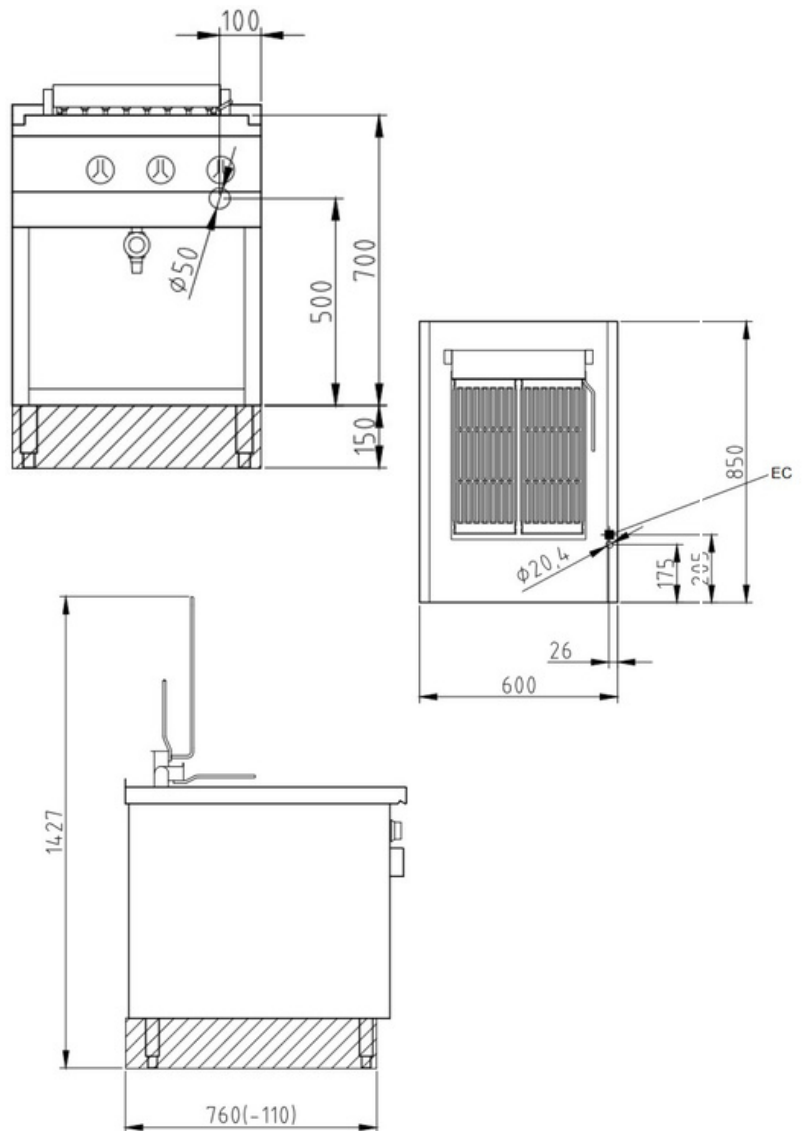


Product Advantages:

- Cast iron grids
- Housing made completely of stainless steel.
- Tightly welded top plate with lateral drain channels for easy cleaning and maximum hygiene.
- Heating elements can be swivelled completely out for easy cleaning.
- Surface load of heating elements 3.6W/cm².
- Grill surface 380x420 mm, grate halves can be separately heated.
- Fat collection tray can be filled with water for easier cleaning.

Installation requirements:

- Electrical supply provided by customer.



Technical Data:

Width x Height x Depth (mm)	600 x 700 (900) x 850
Effective area	1
Dim.: effect. Area (mm)	380 x 420
Connected load (elect.) (kW):	7.0
Voltage (V) / EC:	415 3 phase AC
Frequency (hz)	50
Recommended fuses (A):	3 x 20
Net weight (kg):	50
Gross weight (kg):	57
Heat emission latent (W):	1225
Heat emission sensitive (W):	5600
Type of protection:	IPX5

