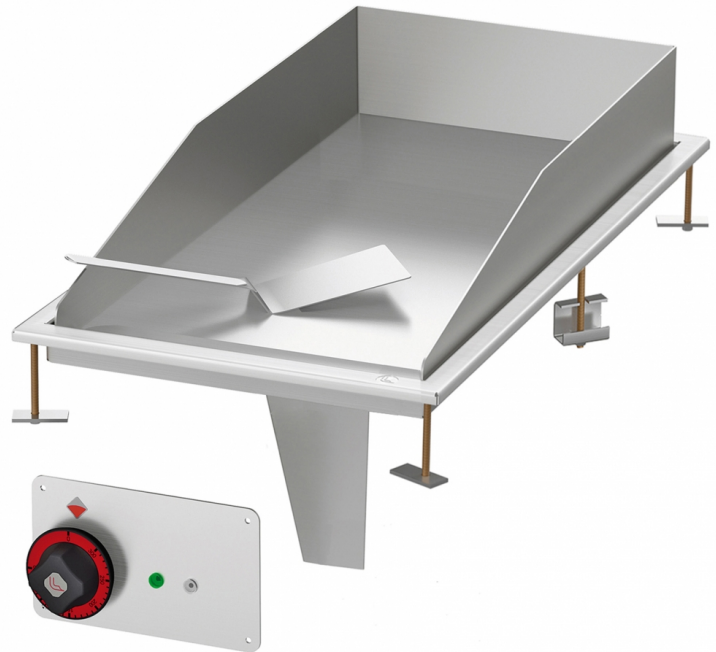


# FTLD-84ETS

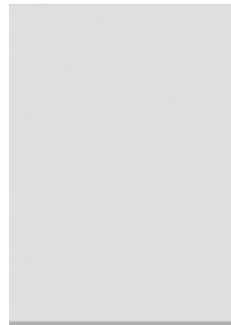
ELECTRIC FREELOTUS

ELECTRIC GRIDDLE 80

Electric Fry-top smooth chromed griddle  
SUPERCHROME (Moca Approved), plate  
cm.36x68



Construction - Fabricated using CrNi 18/10 AISI 304 grade Stainless Steel Scotch-Brite Satin polish Finish, incorporating 2 mm thick worktop, chromed details. Model - Professional Electric Griddle, Smooth, Ribbed or 50 / 50, Normal or Chrome. Normal Plate in FE430B Steel and Chrome in FE510C Steel. Double thermostat, operating and safety. High durability and rapid heat up. 50 - 300degC control. Fittings - Fixing system.



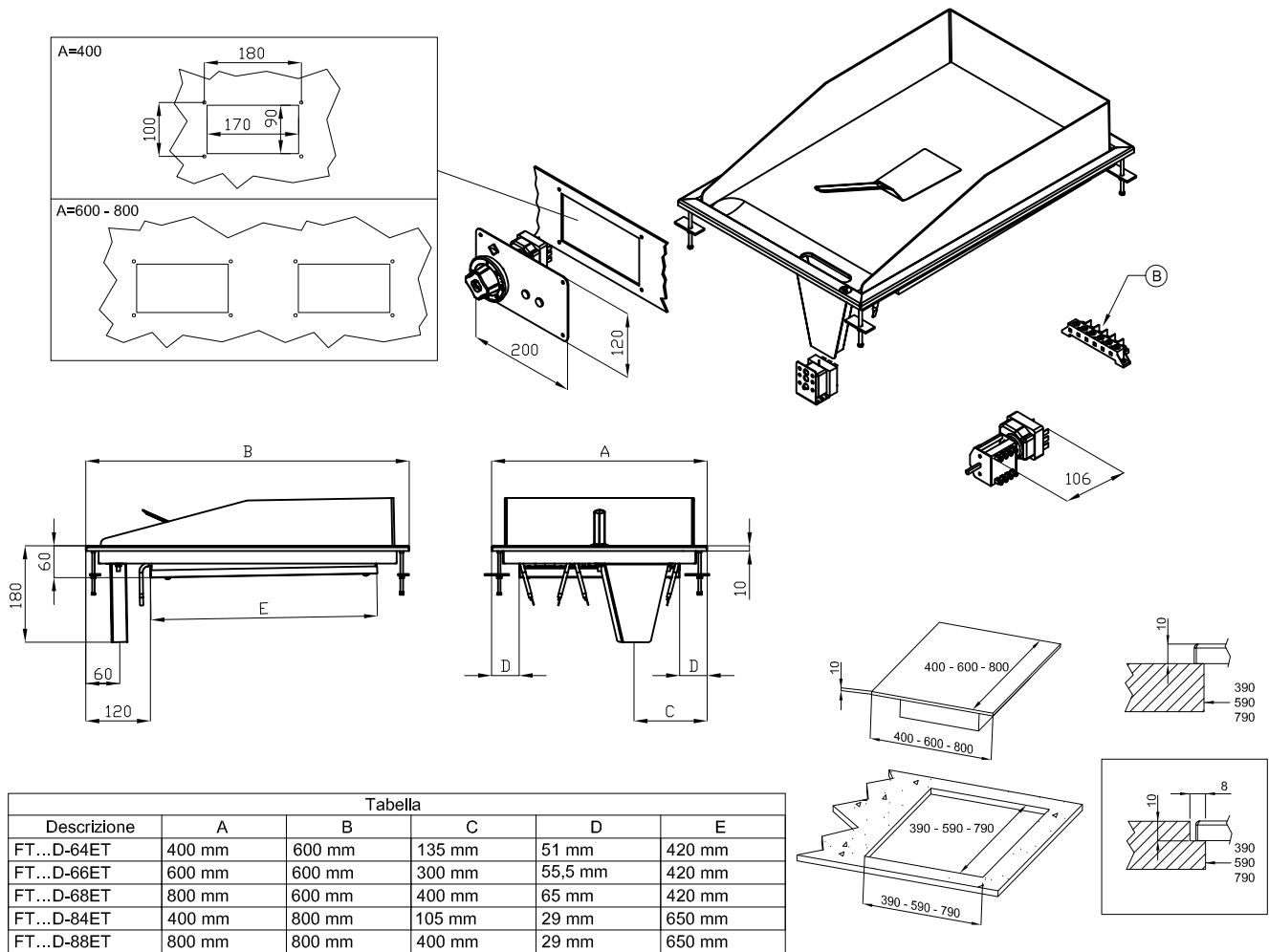
ITALIAN CULINARY ART

The pictures are purely representative. The manufacturer reserves the right to modify the technical data and models without previous notice.

# FTLD-84ETS

ELECTRIC FREELOTUS

ELECTRIC GRIDDLE 80



A	Data plate		B	Electrical connection	
---	------------	--	---	-----------------------	--

MODEL: FTLD-84ETS  
 DIMENSIONS: cm. 40x 80x 22h  
 ELECTRIC POWER: 7,5 kW  
 VOLTAGE: 400V~3N  
 FREQUENCY: 50/60 Hz



kg: 45  
 m<sup>3</sup>: 0.225  
 mm: 430x970x540

BUY LOTUS BUY ITALY

The pictures are purely representative. The manufacturer reserves the right to modify the technical data and models without previous notice.



LOTUS S.P.A. Via Calmaor, 46  
 31020 San Vendemiano(TV) - Italy  
 Tel. + 39 0438 778020 / 778468  
 Fax + 39 0438 778277  
 www.lotuscookers.it - lotus@lotuscookers.it