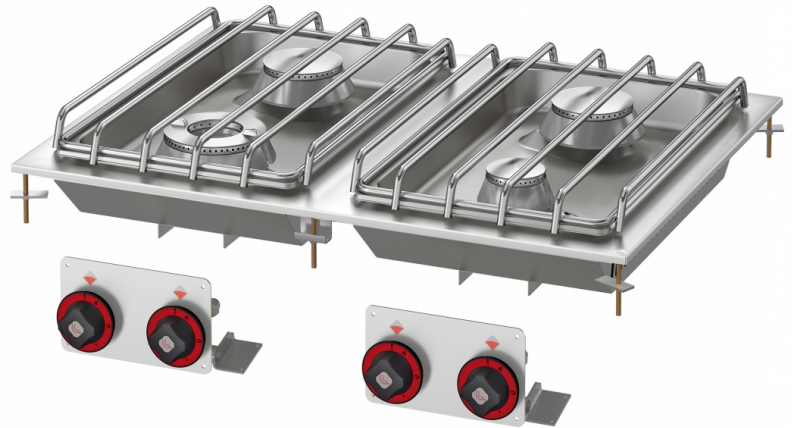


# PCD-68G

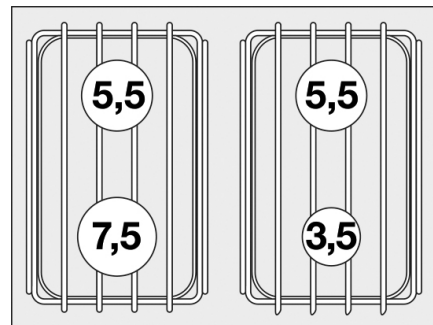
GAS FREELOTUS

GAS BOILING UNIT 60

Gas heated boiling unit - 4 burners



Construction - Fabricated using CrNi 18/10 AISI 304 grade Stainless Steel Scotch-Brite Satin polish Finish, incorporating 2 mm thick worktop, chromed details. Model - Professional Gas Boiling Hob. Burners with pilot light ignition and thermocouple safety valve. Modulating flame burners, grills in stainless steel rods or cast iron, removable liquid collectors. Maintenance - Easy removal of liquid collectors. Fittings - Appliance is supplied with both LPG and Natural Gas conversion jets. Fixing system.



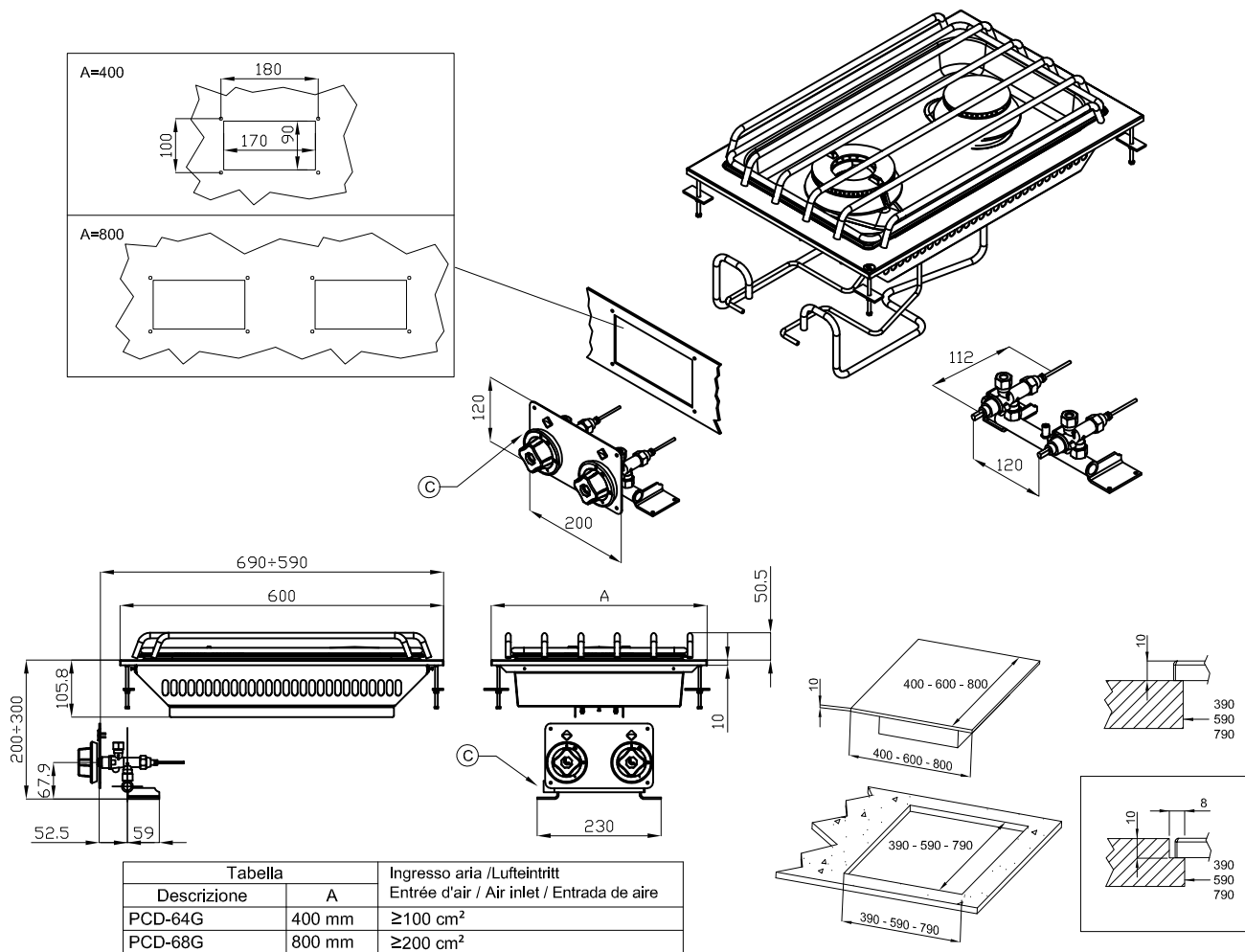
ITALIAN CULINARY ART

The pictures are purely representative. The manufacturer reserves the right to modify the technical data and models without previous notice.

# PCD-68G

GAS FREELOTUS

GAS BOILING UNIT 60



| Tabella     |        | Ingresso aria /Lufteintritt<br>Entrée d'air / Air inlet / Entrada de aire |
|-------------|--------|---|
| Descrizione | A      |   |
| PCD-64G     | 400 mm | ≥100 cm <sup>2</sup>  |
| PCD-68G     | 800 mm | ≥200 cm <sup>2</sup>  |

|   |            |  |   |                |                |
|---|------------|--|---|----------------|----------------|
| A | Data plate |  | C | Gas connection | ISO 7-1 1/2" M |
|---|------------|--|---|----------------|----------------|

MODEL: PCD-68G  
 DIMENSIONS: cm. 80x 60x 11h  
 GAS POWER: 22 kW / 18.920 kcal/h  
 GAS TYPE: Natural Gas / LPG



kg: 40  
 m<sup>3</sup>: 0.345  
 mm: 830x770x540

BUY LOTUS BUY ITALY

The pictures are purely representative. The manufacturer reserves the right to modify the technical data and models without previous notice.



LOTUS S.P.A. Via Calmaor, 46  
 31020 San Vendemiano (TV) - Italy  
 Tel. + 39 0438 778020 / 778468  
 Fax + 39 0438 778277  
 www.lotuscookers.it - lotus@lotuscookers.it