

# TPT-98ET

90 IPERLOTUS TOP

ELECTRIC SOLID TOP - TOP



[View 3D](#)

Solid top - Plate cm. 70x68 (included 1 Head end filler strip mod.TPA-9)



Construction - Fabricated using CrNi 18/10 AISI 304 grade Stainless Steel Scotch-Brite Satin polish Finish, incorporating 2mm thick worktop, rounded edges, chromed details and rear splash back. Knobs with waterproof grades IPX5. Model - Professional Electric Solid Top. 20mm thick chrome-molibdeno top for the best in heat conductivity. Four position thermostatic control to 450degC. Maintenance - All serviceable parts are accessible by the easy removal of front control panel. Fittings - Appliance is supplied with adjustable feet.



ITALIAN CULINARY ART

The pictures are purely representative. The manufacturer reserves the right to modify the technical data and models without previous notice.

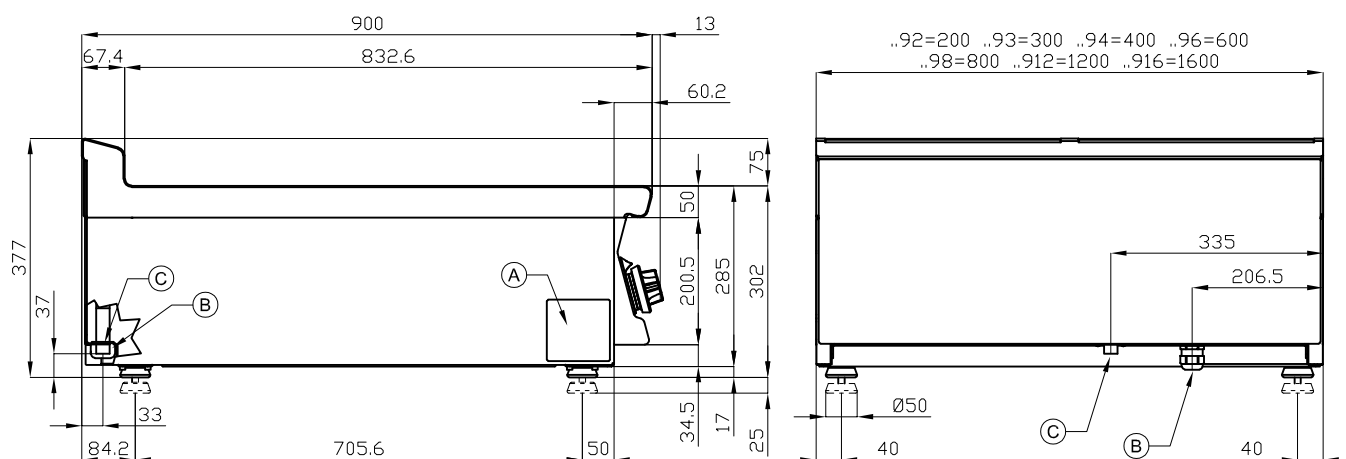
# TPT-98ET

90 IPERLOTUS TOP

ELECTRIC SOLID TOP - TOP



View 3D



MODEL: TPT-98ET  
 DIMENSIONS: cm. 80x 90x 28h  
 ELECTRIC POWER: 13,6 kW  
 VOLTAGE: 400V~3N  
 FREQUENCY: 50/60 Hz



kg: 108  
 m<sup>3</sup>: 0.435  
 mm: 830x970x540

BUY LOTUS BUY ITALY

The pictures are purely representative. The manufacturer reserves the right to modify the technical data and models without previous notice.



LOTUS S.P.A. Via Calmaor, 46  
 31020 San Vendemiano(TV) - Italy  
 Tel. + 39 0438 778020 / 778468  
 Fax + 39 0438 778277  
 www.lotuscookers.it - lotus@lotuscookers.it