

# F2/8T-94ET

90 IPERLOTUS TOP

ELECTRIC FRYERS - TOP



[View 3D](#)

Fryer threephase 8+8 lts - 2 Bowls cm.

14,8x35,5x22,5h - 2 baskets cm.

12x29x11,5h. Sieve and lid for pan.

Production: 12 kg/h (included 1 Head end filler strip mod.TPA-9)



**Construction** - Fabricated using CrNi 18/10 AISI 304 grade Stainless Steel Scotch-Brite Satin polish Finish, incorporating 2mm thick worktop, rounded edges, chromed details and rear splash back. Knobs with waterproof grades IPX5. **Model** - Professional Electric Fryer. With single or Double tank to include both basket and lids, tank filter with basket support. Double Thermostat for operating and over heat safety. Front oil drain. **Maintenance** - All serviceable parts are accessible by the easy removal of front control panel. Easy tank cleaning by rotating heating element. **Fittings** - Appliance is supplied with adjustable feet.



ITALIAN CULINARY ART

The pictures are purely representative. The manufacturer reserves the right to modify the technical data and models without previous notice.

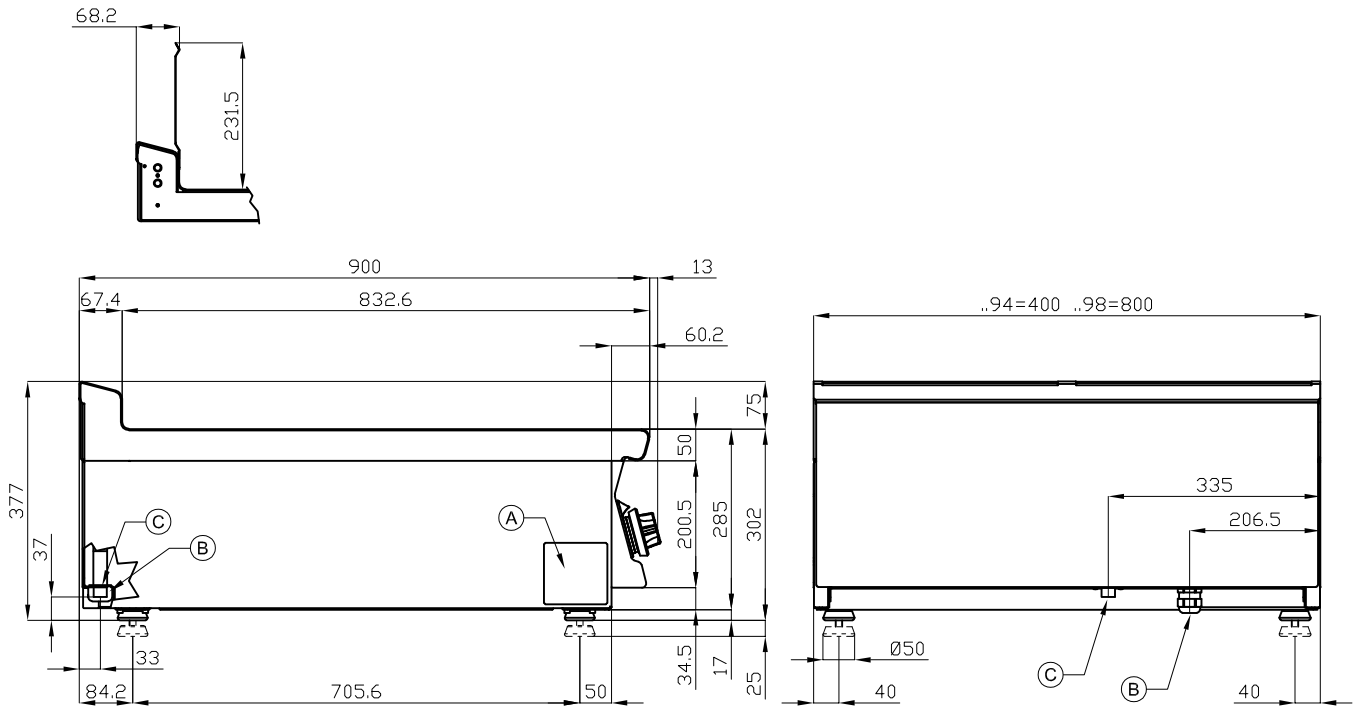
# F2/8T-94ET

90 IPERLOTUS TOP

ELECTRIC FRYERS - TOP



View 3D



A	Data plate		B	Electrical connection	
---	------------	--	---	-----------------------	--

MODEL: F2/8T-94ET  
DIMENSIONS: cm. 40x 90x 28h  
ELECTRIC POWER: 12 kW  
VOLTAGE: 400V~3N / 230V~3  
FREQUENCY: 50/60 Hz



kg: 58  
m<sup>3</sup>: 0.225  
mm: 430x970x540

BUY LOTUS BUY ITALY

The pictures are purely representative. The manufacturer reserves the right to modify the technical data and models without previous notice.



LOTUS S.P.A. Via Calmaor, 46  
31020 San Vendemiano(TV) - Italy  
Tel. + 39 0438 778020 / 778468  
Fax + 39 0438 778277  
www.lotuscookers.it - lotus@lotuscookers.it