

BST-94EM

90 IPERLOTUS TOP

ELECTRIC CHIP DUMP WITH INFRARED HEATER - TOP



View 3D

Fry dump singlephase with infra-red heater.
Bowl cm. 30,5x51x16,5h with perforated
double bottom (included 1 Head end filler
strip mod.TPA-9)



Construction - Fabricated using CrNi 18/10 AISI 304 grade Stainless Steel
Scotch-Brite Satin polish Finish, incorporating 2mm thick worktop,
rounded edges, chromed details and rear splash back. Knobs with
waterproof grades IPX5. Model - Professional Electric Chip Dump with
Infrared heater. Perforated false bottom tank. Maintenance - All
serviceable parts are accessible by the easy removal of front control
panel. Fittings - Appliance is supplied with adjustable feet.



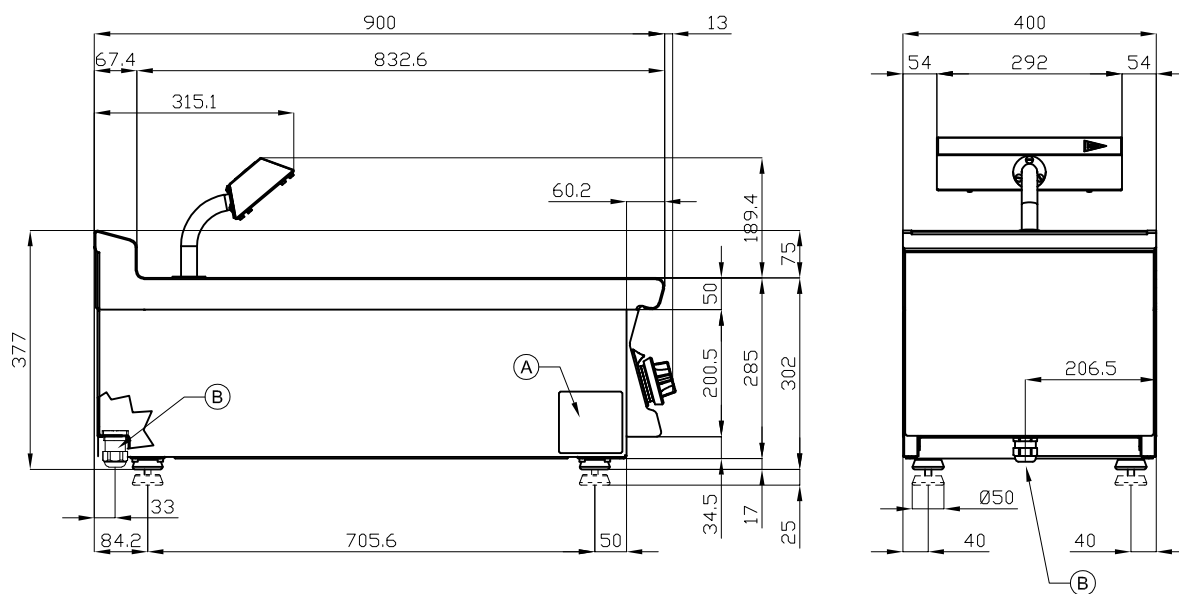
ITALIAN CULINARY ART

The pictures are purely representative. The
manufacturer reserves the right to modify the
technical data and models without previous
notice.

BST-94EM

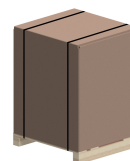
90 IPERLOTUS TOP

ELECTRIC CHIP DUMP WITH INFRARED HEATER - TOP



A	Data plate		B	Electrical connection	
---	------------	--	---	-----------------------	--

MODEL: BST-94EM
DIMENSIONS: cm. 40x 90x 28h
ELECTRIC POWER: 1,47 kW
VOLTAGE: 230V~
FREQUENCY: 50/60 Hz



kg: 48
m³: 0.263
mm: 430x970x630

BUY LOTUS BUY ITALY

The pictures are purely representative. The manufacturer reserves the right to modify the technical data and models without previous notice.



LOTUS S.P.A. Via Calmaor, 46
31020 San Vendemiano (TV) - Italy
Tel. + 39 0438 778020 / 778468
Fax + 39 0438 778277
www.lotuscookers.it - lotus@lotuscookers.it