

# PCIT-98ET

## 90 IPERLOTUS TOP INDUCTION BOILING UNIT - TOP



Three-phase induction cooking - 4 zones -  
glass cm.75x77 (do not place on ovens or  
drawers) (included 1 Head end filler strip  
mod.TPA-9)



Construction -Fabricated using CrNi 18/10 AISI 304 grade Stainless Steel  
Scotch-Brite Satin polish Finish, incorporating 2mm thick worktop,  
rounded edges, chromed details and rear splash back. Knobs with  
waterproof grades IPX5. Model - Professional Induction cooking or Wok  
Hob. Ceramic glass top with high output cooking areas, heats only the  
content of the pan with magnetic steel base. Standard or digital control  
offers accurate adjustment for delicate to high cooking temperatures.  
Wok hob suitable for use with steel concave pan. Maintenance - All  
serviceable parts are accessible by the easy removal of front control  
panel. Fittings - Appliance is supplied with adjustable feet.



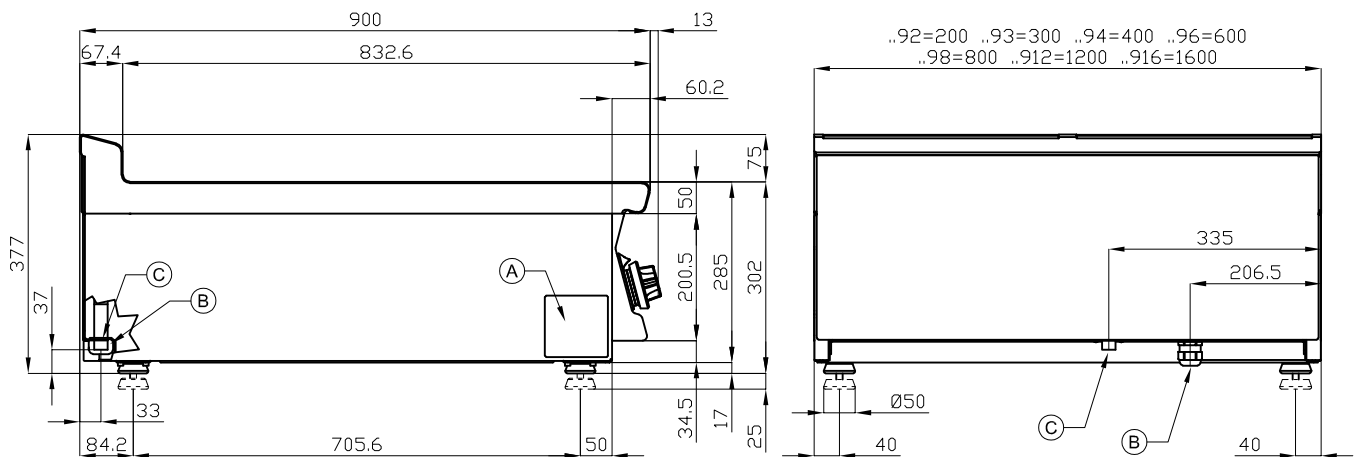
ITALIAN CULINARY ART

The pictures are purely representative. The  
manufacturer reserves the right to modify the  
technical data and models without previous  
notice.

# PCIT-98ET

90 IPERLOTUS TOP

INDUCTION BOILING UNIT - TOP



|   |            |  |   |                       |  |
|---|------------|--|---|-----------------------|--|
| A | Data plate |  | B | Electrical connection |  |
|---|------------|--|---|-----------------------|--|

MODEL: PCIT-98ET  
DIMENSIONS: cm. 80x 90x 28h  
ELECTRIC POWER: 20 kW  
VOLTAGE: 400V~3  
FREQUENCY: 50/60 Hz



kg: 76  
m<sup>3</sup>: 0.435  
mm: 830x970x540

BUY LOTUS BUY ITALY

The pictures are purely representative. The manufacturer reserves the right to modify the technical data and models without previous notice.



LOTUS S.P.A. Via Calmaor, 46  
31020 San Vendemiano(TV) - Italy  
Tel. + 39 0438 778020 / 778468  
Fax + 39 0438 778277  
www.lotuscookers.it - lotus@lotuscookers.it